

# D8



CONTROL PANEL AND DIALLER



D8



## NESS D8 CONTROL PANEL INSTALLATION & PROGRAMMING MANUAL

A\$15.00  
INC GST

Revision **4.7**





WWW.NESS.COM.AU

## Security Products

*“Australia’s largest  
designer and  
manufacturer of  
high quality security  
products”*



### HEAD OFFICE:

Ness Security Products Pty Ltd  
ABN 28 069 984 372  
4 / 167 Prospect Hwy  
Seven Hills NSW 2147 Australia  
Ph +61 2 8825 9222 Fax +61 2 9674 2520  
ness@ness.com.au

### SYDNEY:

Ph 02 8825 9222 Fax 02 9674 2520  
sales@ness.com.au

### MELBOURNE:

Ph 03 9878 1022 Fax 03 9878 4257  
nessmelb@ness.com.au

### BRISBANE:

Ph 07 3343 7744 Fax 07 3849 4883  
nessbris@oznetcom.com.au

### PERTH:

Ph 08 9328 2511 Fax 08 9227 7073  
nessper@iinet.net.au

### ADELAIDE (AQUAVIA CONTROLS)

Ph 08 8277 7255 Fax 08 8276-3028  
aquavia@cobweb.com.au

### NEW ZEALAND (NFS)

Ph +64 9 573 0401 Fax +64 9 573 0402  
nfs@nfs.co.nz

### HONG KONG:

Ph +852 2721 8097 Fax +852 2721 7465  
nessasia@ness.com.hk



NESS SECURITY PRODUCTS  
Australian Communications Authority  
TELECOMMUNICATIONS COMPLIANCE

### D8 V4.7 INSTALLER MANUAL

Revision 4.7  
June 2003

Document Part Number: 890-265

For product:

100-191 D8 LED Control Panel (V4.7)  
100-688 D8 LCD Control Panel (V4.7)

© 2003 Ness Security Products Pty Ltd ABN 28 069 984 372  
D8 V4 installer rev4.7 pmo040603

Specifications may change without notice.

# CONTENTS

Ness D8 features, specifications, packing list.....	4
D8 revision history .....	5
<b>CONNECTION DIAGRAM.....</b>	<b>6</b>
Wiring examples .....	7
Installation procedures .....	8
Inputs, Outputs described .....	8, 9
Keypad .....	10
<b>OPERATION SUMMARY .....</b>	<b>11</b>
<b>HOW TO PROGRAM</b>	
Quick start Programming.....	12
How to enter Program Mode .....	13
Program mode levels .....	13
<b>PROGRAMMING OPTIONS</b>	
<b>USER CODES .....</b>	<b>14</b>
Timers.....	15
Vibration Sensitivity.....	16
Zone Assignment.....	17–19
<b>TEMPORARY DAY ZONES</b>	
(New Feature, D8 v4.6 onwards)	
Assigning Day Zones.....	19
Temporary Day Zones operation .....	19
Temporary Day Zones operation summary.....	11
<b>AREA PARTITIONING.....</b>	<b>20–21</b>
Zone To Output Mapping.....	22–23
Various Options.....	24–25
Tamper/Keypad Panic Output Mapping .....	26
System Operation Shortcuts .....	27
<b>MONITOR MODE OUTPUT MAPPING.....</b>	<b>28</b>
Day mode output mapping.....	28
Miscellaneous Options .....	29
<b>SUPERVISED RADIO ZONES .....</b>	<b>31</b>
Supervision time .....	31
Radio Supervision Alerts.....	32–33
Misc. options 1 .....	34–35
Misc. options 2.....	36–37
<b>DIALLER OPTIONS</b>	
Telephone Numbers 1 & 2 .....	38
Account Number 1 & 2 .....	38
Telephone Number 3 – Test Calls .....	39
Telephone Number 4 – Callback .....	39
Follow me Telephone Number.....	39
<b>Report zone alarms.....</b>	<b>40</b>
Report zone restorals.....	40
Report multiple zone alarms.....	40
Account No.2 zones.....	40
Report Miscellaneous alarms .....	41
Report Miscellaneous Restorals .....	41
Restoral Reporting options.....	41
<b>Test Call Interval.....</b>	<b>42</b>
Time before Next test call .....	42
Dialling Method .....	42
Disable Dialler .....	43
<b>Contact ID format.....</b>	<b>43</b>
Audible DTMF format.....	43
<b>Audible Pulse format.....</b>	<b>43</b>
<b>Contact ID Reporting Codes .....</b>	<b>44</b>
Alternate Dialling .....	45
Check for dial tone.....	45
Number of Dialling Attempts.....	45
Area1 open/close reports .....	46
Area2 open/close reports .....	46
Siren Chirp on kiss-off .....	46
Strobe Flash on kiss-off .....	46
Forced Opening Report.....	47
Delay Closing Report.....	47
Manual Exclude Report.....	47
Auto Exclude Report.....	47
<b>Enable Test Calls.....</b>	<b>48</b>
Mains Report Delay.....	48
Listen-in to dialler.....	48
Swinger Shutdown.....	49
Line Fault Monitor .....	49
Line Fault to AUX2.....	49
Remote access .....	50
Direct Connect .....	50
Remote access options .....	50–51
Required Rings .....	52
<b>FACTORY DEFAULTS</b>	
Clear Radio Devices.....	53
Clear Memory.....	53
Clear Panel Options .....	53
Clear User Codes.....	53
<b>RADIO OPTIONS</b>	
Radio Quick Start.....	54
Ness Radio Interface.....	54
Signal strength meter.....	54
Radio Devices, Operation .....	55
Radio Supervision, Defined .....	55
<b>Radio Device Programming.....</b>	<b>56</b>
<b>Radio Key Programming.....</b>	<b>57</b>
<b>REMOTE OPERATION</b>	
<b>Audible Monitoring Operation .....</b>	<b>58</b>
<b>Remote Operation by Telephone .....</b>	<b>59</b>
Ness Accessories.....	60
Wireless Products .....	61
<b>PROGRAMMING OPTIONS SUMMARY .....</b>	<b>62,63</b>
Installation Record .....	64

# NESS D8 CONTROL PANEL

## FEATURES

- 8 Fully programmable zones
- Any combination of hardwire or radio zones
- Full radio supervision
- Contact ID Dialler Format
- Ultra-Modern and Impact resistant Housing
- Ness Audible Dialler Format
- "Follow Me" Audible Dialler Option
- Separate 24 Hour Tamper input
- Single or Double Trigger Zones
- Remote LED or LCD Keypads (Max 3)
- Fully programmable via the system Keypad – Eliminates the need for expensive programmers or Proms.
- Inbuilt Vibration Sensor Analyser
- All programming data is permanently stored in a non-volatile EEPROM memory
- Windows based Up\Down load Software allows remote programming and event status
- True Dynamic Battery Test every time the Panel is armed / disarmed and every hour
- Area Partitionable (2 Areas). Any Zone can be programmed to any area, as well as common areas
- Comes complete with an AC plug pack and supports a 12V 7Ah battery to maintain systems security under all power supply conditions
- Monitor Mode (Home Mode)
- Outputs are separately fused with Automatic Reset Fuses
- Day Mode and Door Chime feature.
- 30 Event Memory
- Supports 8 Radio Devices (Radio PIRs, Radio Reeds etc)
- Supports 14 Radio Keys
- All inputs and outputs are heavily protected against lightning and high voltage supply transients. An earth terminal is provided for extra protection
- 15 User Codes
- 'Arm only' codes can be programmed
- Programmable Inputs to activate selectable Outputs
- Designed utilising the latest SMD Technology
- Forced Arming Feature
- Simple to Program and Use.



100–191 Ness D8 LED Control Panel  
100–688 Ness D8 LCD Control Panel

## PACKING LIST

- 1 D8 main board
- 1 D8 housing
- 1 Ness LED keypad (100-192) or...  
Ness LCD keypad (100-667)
- 1 17VAC plug pack
- 1 12V 7Ah battery (optional)
- 1 Dialler telephone lead
- 1 User manual
- 1 Installer manual
- 9 2.2K End Of Line resistors
- 1 Lead assembly for Battery
- 1 Lead assembly for Internal Tamper
- 1 Tamper bracket
- 1 Zone list label
- 2 Housing cover screws
- 2 Circuit board standoff

## SPECIFICATIONS

Box construction .....	3mm Polycarbonate (equiv. 1.2mm mild steel)
Box Dimensions .....	223W x 300H x 85D mm
Plug Pack .....	240V AC, output 17V AC@1.4A
Power Supply .....	13.8V DC @ 800mA
Quiescent Current.....	80mA with 1 Keypad
Operating Voltage .....	9.5V– 14V DC
Rechargeable Battery .....	12 volt 7.0 Amp/hour, lead acid
Battery Charging current ...	350mA maximum, current limited
Dynamic Battery Test .....	Every hour and on arming 10.75V with a 5 amp load
Fuses.....	2 Amp resettable / sirens & reset. 500mA resettable / 12 volt auxiliary outputs 200 mA resettable / strobe output
INPUTS.....	8 x Zone inputs 2 x 24hr Tamper inputs
End of line resistor .....	2200 Ohm
Remote Keypad input .....	Proprietary
Maximum Keypads .....	3
J2 Header.....	Multi-pin connector for the Ness Radio Interface (100-200)
OUTPUTS	
Siren .....	On board siren driver. Timed output. Maximum 3 x 8 Ohm horn speakers
Strobe.....	12V DC timed output. Maximum 2 x 1 Watt strobe lights
Reset .....	12V DC timed output. Maximum 3 x 12v piezo screamers
Equipment power output ....	13.8V DC output for powering detectors and other equipment. Maximum 500mA.
J3 Header.....	Multi-pin connector provides the outputs AUX1, AUX2, ARM1, ARM2, 12V DC.

# NESS D8 REVISION HISTORY

## D8 VERSION 4.7 (Aug 2003)

BUSY dial tone detection removed.

Allow remote operation with P86E 1E (Dialler Disable ON).

Up/download can still take place if Client Account Number (P72E, P73E) is left at default value of 0000.

DTMF tone transmission OFF time reduced to match other NESS diallers.

Improved central station tone detection.

Pulse output time reduced to 2.5 seconds for AUX1, AUX2 when triggered by Radio Panic and Aux key.

Line Fail to Aux2 delay time reduced to 1 minute.

## D8 VERSION 4.6 (Jan 2003)

New Feature - Temporary Day Zones. Enable or Disable Day Zones from operating mode. Page 19.

Dialler Client Codes for transmission to a central station can be entered in HEX. Page 39.

Mains fail alarm can be disabled Page 37.

Test report clock can be programmed to use the internal oscillator for timing. Page 49.

Zones can be selected not to flash the Memory icon. Page 52.

RK4 Radio Key AUX button can be mapped to the D8 Aux2 output. Page 37.

## CHANGES TO EXISTING PROGRAM OPTIONS

P63E 6E. Day Mode to Strobe becomes Day Mode to AUX2 if P64E 2E is on.

P64E 2E, Brief Day Alarm is now defaulted OFF.

## NEW PROGRAM OPTIONS

P69E 6E Disable mains fail alarm.

P69E 7E RK4 Radio Key AUX button toggles Aux2 output.

P69E 8E RK4 Radio Key AUX button pulses Aux2 output.

P89E 7E Internal clock timing.

P94E Select zones for no memory warning.

## NEW FUNCTIONS.

**P+E** enters Temporary Day Zone Selection Mode. Accessed from normal operating mode.

**[Zone No.]+E** selects Temporary Day Zones when in Temporary Day Zone Selection Mode.

**0+E** Enables or disables Day Mode. Accessed from normal operating mode.

**E** Exits Temporary Day Zone Selection Mode.

## D8 VERSION 4.5 (July 2002)

**MONITOR ARMING BY RADIO KEY.** Pressing the ON button twice can now be used to enter MONITOR mode. This addition was done to allow MONITOR mode arming using a RADIO keypad.

**TEST CALL TIMING.** When sending Test Calls, the time between dialling attempts is increased to 60 minutes for the 2nd round of dialling.

**Arming from MONITOR Mode.** Arm Only codes can arm the panel directly from Monitor Mode. (Normal user codes can arm only from the disarmed state.)

**STROBE TIMEOUT.** Strobe output will time out after 72 hours. This stops continuous strobe operation when the alarmed premises are vacant for long periods.

**S/W VERSION.** The software version of the panel is displayed in Program mode by entering P9999999E (eight 9's).

## D8 VERSION 4 (Nov 2001)

### RADIO

**RADIO SUPERVISION.** Radio supervision can be used with NESS radio detectors that transmit periodic supervision signals.

Options added to either Toggle or Pulse Aux1 with the Radio Panic key.

Option to have quieter siren chirps when arming/disarming with key switch or radio keys.

### ARMING

**ARM ONLY CODES.** User codes and radio Keys can now be made to ARM ONLY.

Option for siren warning burst when arming with radio key and a zone is unsealed.

Warning beeps timing extended by changing to Entry Delay 2 timer.

Monitor mode outputs are now selectable for both the 2 second monitor mode and full monitor mode.

The outputs for Area 1 and Area 2 can now be made to pulse on for 2 seconds. This makes them useful as Smoke Detector Reset outputs by adding an external relay.

### DIALLER

Aux 2 output option for telephone line fail.

Dialler sends a CANCEL report if there has been an alarm in full monitor mode.

Dialler Listen-In has been added via the Siren output.

The Miscellaneous Alarm reporting options have been increased to include reports such as Mains Fail, Battery Fail, radio tamper reports and others now selectable).

Mains and Battery fail reports can be sent if required when using the Audible format.

Closing reports can be delayed until end of exit time.

Manual and Auto Exclude reports can be disabled.

### UP/DOWNLOAD

CallBack in Normal Mode and User Program mode is now optional to allow up/download without having a fixed callback telephone number.

The Up/Download Software is completely new and compatible with Windows 9x/2K/XP.

### HARDWARE

An option to select 3k3 EOL resistors for Zones. Default is 2k2.

A Tamper lead assembly is provided to connect internal tamper switch to the Tamp header.

### MISCELLANEOUS

Only include mains fail in alarm memory when the previous event is not mains fail.

Fire Siren sound can be selected for 24hr zones. Handy for Smoke Detectors.

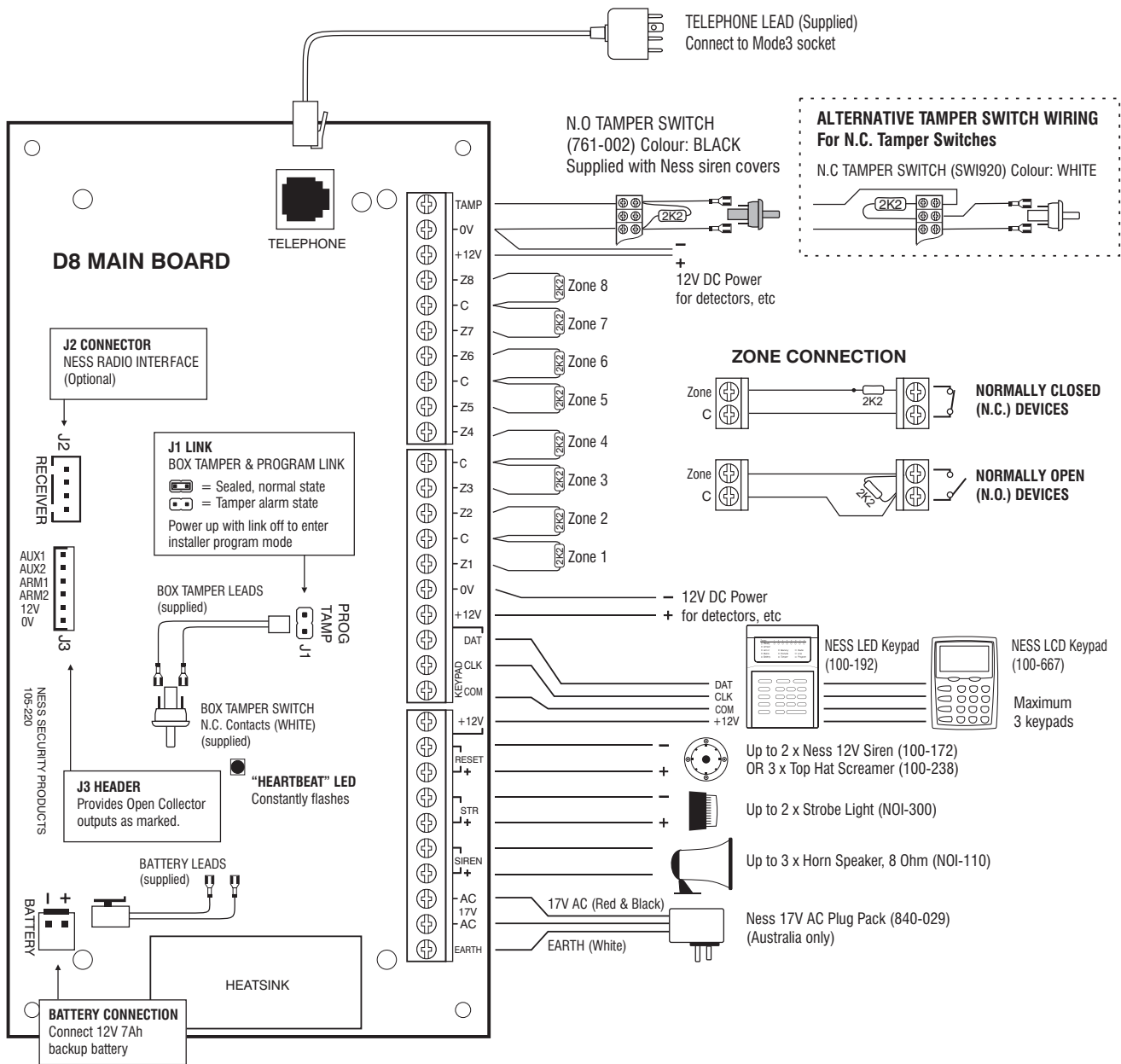
Day mode does not latch zone alarms. The warnings are either for 2secs or while the Day zone is unsealed.

Zone Exclude with User Code Entry only accepts zones (1-8) that are in the AREAS that the User Code can arm.

In User Program Mode a Siren Test can be started by entering 7777777E (8 sevens) and Dialler Test Report can be initiated by entering 6666666E ( 8 sixes).

Quiet siren sound option in Monitor mode, instead of the full volume siren sound.

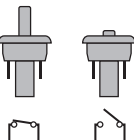
# NESS D8 CONNECTION DIAGRAM



## TAMPER SWITCH IDENTIFICATION

### NORMALLY OPEN

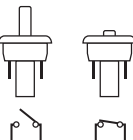
Tamper Switch  
Part No: 761-002  
Colour: Black



The **NORMALLY OPEN** Tamper Switch is readily identified being black in colour. This tamper switch is now being supplied as standard with all Ness siren covers. The Normally Open contacts are less prone to false activation in harsh climates.

### NORMALLY CLOSED

Tamper Switch  
Part No: SWI920  
Colour: White



The standard white **NORMALLY CLOSED** Tamper Switch is supplied with all Ness control panels for box tamper.

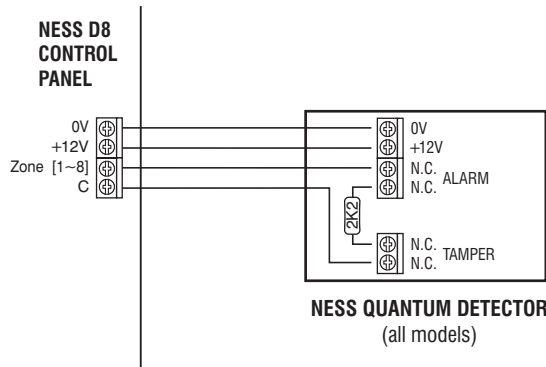


Security Products

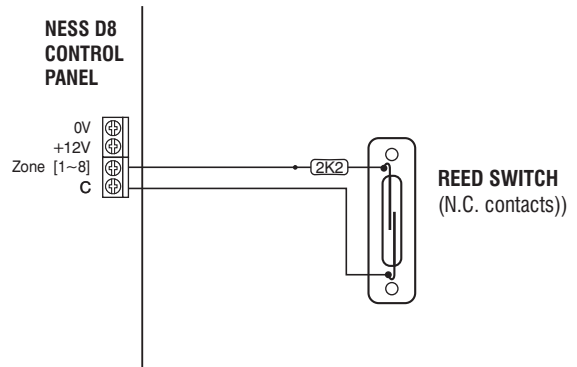
© 2003 Ness Security Products

# NESS D8 CONNECTION EXAMPLES

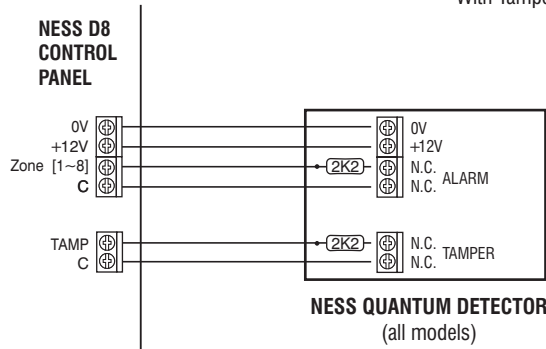
## EXAMPLE 1 NESS QUANTUM DETECTORS 4 WIRE CONNECTION



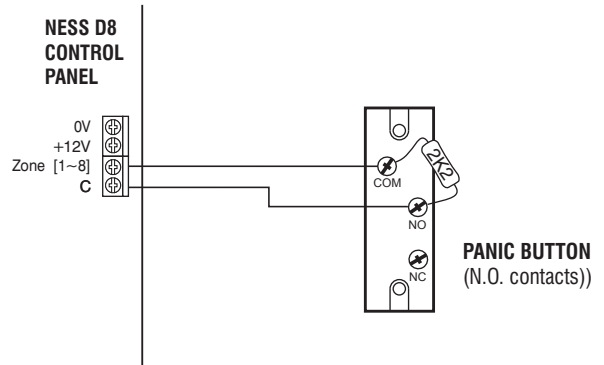
## EXAMPLE 3 ANY N.C. DEVICE



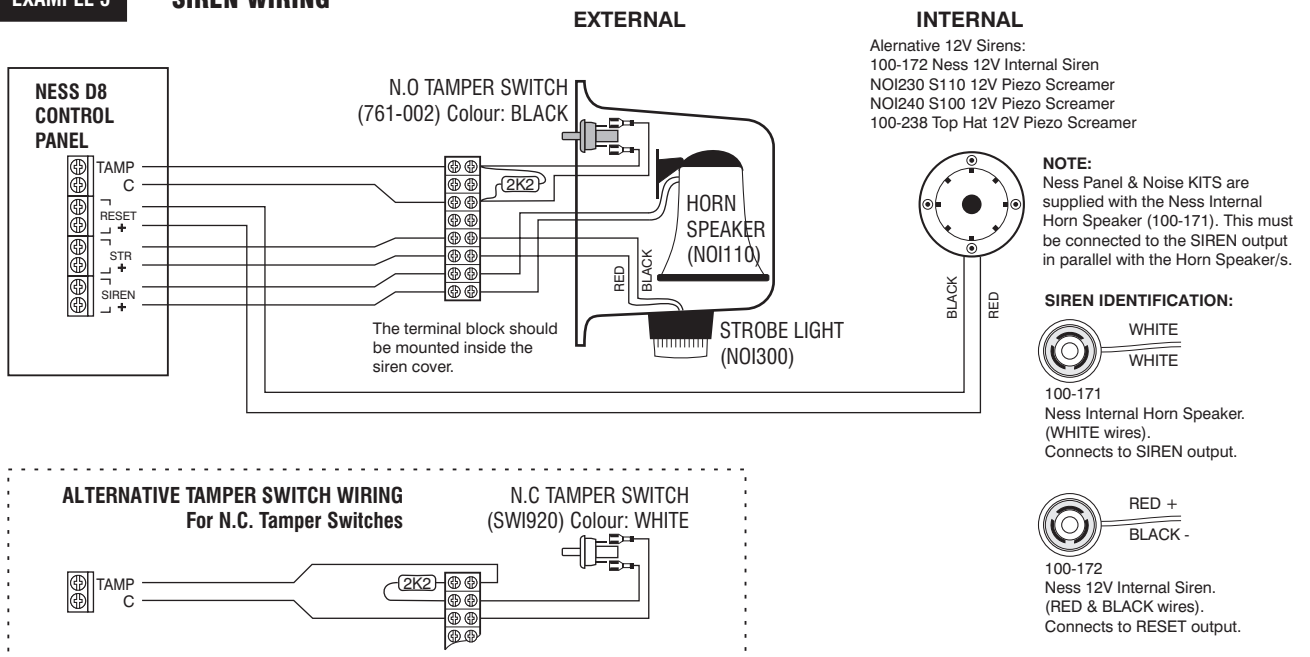
## EXAMPLE 2 NESS QUANTUM DETECTORS 6 WIRE CONNECTION With Tamper



## EXAMPLE 4 ANY N.O. DEVICE



## EXAMPLE 5 SIREN WIRING



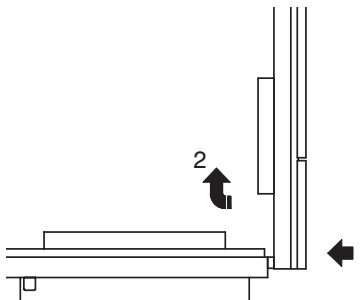


# INSTALLATION

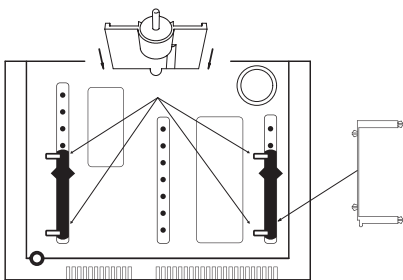
The location of the main panel housing should be in an area that is within the protected area of the premises. A linen closet or cupboard are good examples as these are generally located in the centre of the Premises.

Positioning of the movement detectors should be considered as the incorrect position may cause unwanted alarms.

1. Unclip the lid by pushing in the directions of the arrows 1 and 2 as shown below.
2. Remove the Battery from the base.
3. Mount the rear panel housing to a secure location.
4. Insert the PCB stand-offs in the Panel and then plug the circuit board onto the stand-offs.
5. Wire to the circuit board terminal blocks, as per the wiring instructions shown in this installation manual.
6. Replace the Battery.
7. Insert the panel tamper bracket as shown at left.
8. Program the control panel as required



HOW TO REMOVE THE LID



INSTALLING PCB STANDOFFS & TAMPER BRACKET

# INPUTS

## MONITORED ZONES

The Ness D8 has 10 separate monitored inputs.

- 8 x Fully programmable Zone inputs
- 2 x 24 hour Tamper input

## ZONE INPUTS

Each zone input must be terminated with a 2K2 (2200 ohm) resistor as supplied. All inputs must be sealed with an EOL resistor even if unused.

For wiring details of Keypads, Keyswitches, Panic Buttons and Warning devices, see the wiring diagrams in the wiring section of this manual.

## TAMP – Tamper Input

The TAMP input must also be sealed with a 2K2 end of line resistor. This input is always a 24hr input.

## AC INPUT TERMINALS

These terminals are for the connection of the Ness plugpack. The Ness D8 requires an AC transformer rating of 1.4 Amps @ 17 V AC minimum. (Ness Part No. POW215)

## BATTERY

These terminals are for the connection of a sealed lead-acid rechargeable 12Volt battery. Charge current is limited to 350mA. The charge voltage is factory preset at 13.8 V and does not need changing. Note: A 12 Volt sealed lead acid rechargeable battery must be connected for correct panel operation. Observe correct Polarity when connecting the battery.

(Ness Part Number BAT210 12V 7Ah battery)

## EARTH

For maximum protection against damage caused by lightning strikes, connect a good earth to this terminal. Alternatively use the Earth lead from the plug pack.

## PROG/TAMP – Program Link & Internal Tamper Input

The PROG/TAMP link appears on the two pin J1 header.

The PROG/TAMP link has two purposes:

1. **To enter Installer Program Mode on initial power up.** Power-up with the PROG link OFF. The PROG link (or Box Tamper lead) must be ON in operating mode.
2. **Box Tamper.** When used with the Internal Tamper Lead (supplied), PROG/TAMP serves as the 24hr tamper input for the panel's internal tamper switch.

Replace the PROG Link with the Box Tamper Lead. Connect the Internal Tamper Lead spade terminals directly to the terminals of the internal tamper switch (supplied). An end-of-line resistor is NOT required on this input.

When PROG/TAMP is used for Internal Tamper, powering up with the panel's cover open will enter Installer Program Mode.



## AUX OUTPUTS

The D8 and D16 Aux1 and Aux2 outputs can now be driven by a number of different conditions and alarms.

The following is a summary of the Aux1 and Aux2 program options and conditions.

### AUX1 CAN BE TRIGGERED BY:

- Any zone alarm if programmed by option P58E. The output remains on until the panel is reset/disarmed.
- A Radio Supervision alarm if option P66E 5E is on. The output remains on until the panel is reset/disarmed.
- Remotely by telephone.
- A Ness RK3 or RK4 Radio Key PANIC button if options P68E 3E or 4E are on.

(if 3E is on, the output Toggles, if 4E is on, the output Pulses. If both 3E & 4E are on, the output will Pulse).

- A Ness RK4 Radio Key AUX button if options P68E 3E or 4E and 7E are on.

### AUX2 CAN BE TRIGGERED BY:

- Any zone alarm if programmed by option P59E. The output remains on until the panel is reset/disarmed.
- A Radio Supervision alarm if option P66E 6E is on. The output remains on until the panel is reset/disarmed.
- Remotely by telephone.
- A Ness RK4 Radio Key AUX button if option P69E 7E or 8E are on.

(if 7E is on, the output Toggles, if 8E is on, the output Pulses. If both 7E & 8E are on, the output will not work).

**NOTE:** Aux1 and Aux2 will both be turned off by a Pulse on *any* other output, (including siren/strobe).

For example, if either Aux output is toggled on, the output will be turned off by the Radio Key arm/disarm strobe flash.

This makes it necessary to disable all 'pulsing' outputs if toggled Aux outputs are to work correctly.

### 12 VOLT OUTPUT:

A regulated 13.8 VDC output is available to power detectors and other equipment. This output is available from two sets of terminals marked +12V and 0V. The output is protected by an Automatic Reset fuse.

A maximum load of 500mA may be connected to these terminals.

### SIREN:

The on-board siren driver will drive a maximum of 3 x 8 ohm horn speakers (Ness Part No. NOI110 or 100-171 Internal Siren). The output will reset at the end of siren time (P29E) or whenever the panel is reset, whichever comes first. This output has an internal Resettable fuse.

### STR - Strobe:

A latched 12VDC output for connecting strobe lights. As of D8 Version 4.5, this output will reset after 72 hours (3 days) or when the panel is disarmed. (D8 versions prior to V4.5 allow indefinite strobe operation, until the panel is reset).

A maximum of 2 x 1 Watt Strobes (Ness Part No. NOI300) can be connected to this output. The output is protected by an Automatic Reset fuse.

### RESET:

A 12V DC output for connecting Ness sirens, piezo sirens or relays, etc. This output will reset at the end of siren time (P29E) or whenever the panel is reset, whichever comes first.

A maximum of 3 x 12V piezo Sirens (Ness Part No. NOI240, NOI 230, 100-238) or 2 X Ness Piezo (Part No 100-172) can be connected to this output. The output is protected by an Automatic Reset fuse.

### J3 HEADER

**Aux1:** This output is an open collector (switch negative) which can supply a maximum of 100mA. Zone alarms may be selected to trigger this output by option P58E.

**Aux2:** This output is an open collector (switch negative) which can supply a maximum of 100mA. Zone alarms may be selected to trigger this output by option P59E.

**Arm1:** This output is an open collector (switch negative) which can supply a maximum of 100mA. This output is turned on when Area 1 is armed.

**Arm2:** This output is an open collector (switch negative) which can supply a maximum of 100mA. This output is turned on when Area 2 is armed.

**12V:** 12V DC output for accessories. Maximum current draw 100mA.

**0V:** 12V ground.

### J3

#### OPEN COLLECTOR OUTPUTS

- AUX 1
- AUX 2
- ARM 1
- ARM 2
- 12V
- 0V

### OUTPUT FUSING

The 12V outputs, Siren, Reset and Strobe outputs are protected by Automatic Reset electronic fuses. These outputs will automatically reset once the overload is removed.

### BACKUP BATTERY

A properly charged battery **MUST** be installed to ensure the Siren, Strobe and Reset outputs operate correctly.

### SIREN LOAD

A maximum output of 2.0A continuous is available from the SIREN, and RESET outputs and 200mA from the STR output.

Recommended maximum power load:

- 3 x Horn speakers (SIREN output)
- 2 x Strobe lights (STR output)
- 2 x Ness Internal Sirens (100-172) (RESET output)

**Note:** (This assumes no more than 500mA is being drawn from the 12V device output).

# KEYPAD

## D8 KEYPADS

The Ness LED or LCD keypad provides important visual and audible indication of the system status and is the main interface for controlling the many powerful features of the D8 system.

### DISPLAY TEST (LCD KEYPAD ONLY)

To display all the keypad icons press and hold the (E) button for at least 2 seconds. All the icons will be on whilst the (E) button is held down.

Display Test can be activated at any time either in operating mode or any program mode.

### NUMBER OF KEYPADS (BOTH KEYPADS)

Up to 3 LED and/or LCD keypads can be connected to the D8.

### CABLE LENGTH (BOTH KEYPADS)

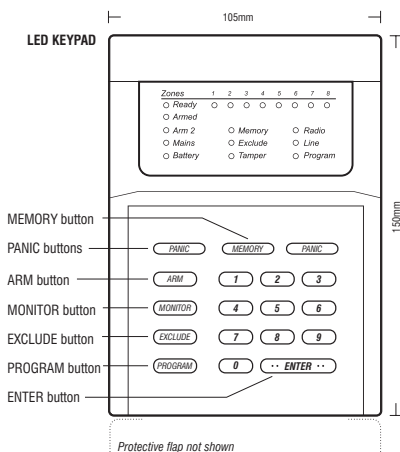
The maximum allowable cable length is 100m (total cable length to all keypads).



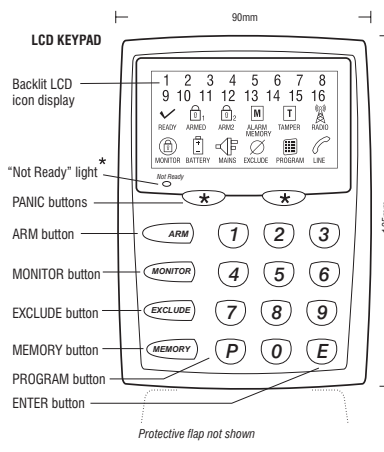
### KEYPAD INSTALLATION

- Unclip the top half of the keypad housing by pushing the top clips down with a small screwdriver and pulling the housing forward.
- Screw the base of the keypad housing to the wall using the 4 mounting holes provided.
- Bring the 4 connecting wires to the terminal block on the PCB on the rear of the keypad housing.
- Connect the wires to the screw terminals as per the wiring diagram shown in this manual.
- Clip the top half onto the base by first engaging the bottom clips and swinging the top closed. Push hard to ensure the clips engage.
- Attach the Zone list label on the inside of the lid.

NESS D8 LED KEYPAD (100-192)



NESS D816 LCD KEYPAD (100-667)









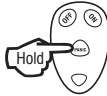
\*The "Not Ready" light is on when the panel is not ready to Arm. i.e. a zone is unsealed, there may still be movement in the premises or a door or window left open

KEYPAD ICON DISPLAY	KEYPAD ICON STATUS		
	● OFF	○ ON	☀ FLASHING
<b>ZONES 1-16</b>	Zone is sealed	Zone is unsealed	Zone alarm
✓ READY	Zone is unsealed, or Power fault or System is Armed, or phone line fault	Ready to Arm	
🔒 <sub>1</sub> ARMED	Disarmed	Armed (AREA 1)	Monitor Mode (LED Keypad only)
🔒 <sub>2</sub> ARM2	Disarmed	Armed (AREA 2)	
🔒 MONITOR	Disarmed	Monitor Mode	
🔊 MAINS	Normal		Mains Power is off
🔋 BATTERY	Normal		The panel's backup battery is low
M ALARM MEMORY	Normal	Memory Mode selected	New alarms in memory
⊘ EXCLUDE	Normal		Zones are excluded
T TAMPER	Normal		Tamper alarm
📡 RADIO	Normal	Receiving radio signal	Indicates that a Radio Key or other radio device has a low battery
📞 LINE	Normal	Dialler is on line	Phone line fault or failure to communicate
📄 PROGRAM	Normal	User Program Mode	Installer Program Mode
⚠ Not Ready	Ready to Arm	Not ready to Arm	

### MEMORY MODE - EVENTS INDICATED BY KEYPAD LIGHTS:

LIGHT	MEMORY EVENT
Zone lights 1-8	Zone alarm
(no lights)	Panel Disarmed
ARMED	Panel Armed (or Area 1 Armed)
ARM2	Area 2 Armed
MAINS	Mains power failure
BATTERY	Low Battery
TAMPER	Tamper alarm (Siren cover, panel etc)
EXCLUDE	Panic alarm
LINE	Telephone line fail
RADIO, EXCLUDE	Radio Key Panic alarm
RADIO, BATTERY, ZONE	Radio Device battery low. (Device number is indicated by zone lights)
RADIO, BATTERY, ARM	Radio Key battery low, (Radio Key number is NOT indicated)
RADIO, TAMPER, ZONE	Radio Device tamper alarm (Device number is indicated by zone lights)
RADIO, MONITOR, ZONE	Radio Supervision fail (Device number is indicated by zone lights)

# OPERATION SUMMARY

OPERATION	 <b>KEYPAD</b>	 <b>RADIO KEY</b>
<b>ARM</b> The panel must be in a Disarmed state first.*	(ARM) (E) (Arming Shortcut must be ON, P62E 5E) or... (ARM) [User Code] (E)	
<b>DISARM</b> To Disarm and/or reset alarms.	[User Code] (E)	
<b>MONITOR MODE</b> The panel must be in a Disarmed state first.	(MONITOR) (E) (Monitor Shortcut must be ON, P62E 3E) or... (MONITOR) [User Code] (E)	 or  Press OFF button twice within 4 seconds or ON button twice within 4 seconds <b>P69E 5E must be ON</b>
<b>PANIC</b>	(*) (*) Both keys together or... (*) [User Code] (E) or... (*) (E) (Keypad Panic Shortcut must be ON, P62E 4E)	 Press and hold for 4 seconds (P68E 3E & 4E must be OFF)
<b>KEYPAD DUESS</b> Keypad Duress is factory set for silent reporting	[5, 6, 8 or 9] [User Code] (E) To Disarm and report a Duress Alarm, add any of the digits 5, 6, 8 or 9 before the User Code when Disarming. <b>P75E1E must be enabled</b>	
<b>EXCLUDING ZONES</b> EXCLUDE + ENTER can only be used when the panel is disarmed.  EXCLUDE + CODE + ENTER can be used when the panel is armed or disarmed.	(EXCLUDE) (E) (Exclude Shortcut must be ON, P62E 2E) or... (EXCLUDE) [User Code] (E)  [Zone No.] (E) [Zone No.] (E) Enter the zone numbers to be Excluded  (E) To exit Exclude mode	
<b>VIEW MEMORY</b> View Memory can only be used when the panel is disarmed.	(MEMORY) (E) (Memory Shortcut must be ON, P62E 1E) or... (MEMORY) [User Code] (E)  Press (MEMORY) repeatedly to display the last 30 events  (E) To exit Memory mode	

\* NOTE ON ARMING: Normal user codes can arm the panel only if it is fully disarmed first. User codes that are programmed to be Arm Only codes can arm the panel from Monitor mode or from the disarmed state.

<b>TEMPORARY DAY ZONES</b> The panel must be in a Disarmed state first.* P64E 2E must be on for enable the use of Temporary Day Zones.	(P) + (E) Enters Temporary Day Zone selection mode. [Zone No.] + (E) Select zone/s to be Temporary Day Zones. (E) Saves changes and exits Temporary Day Zone selection mode. (O) + (E) Enables/disables Temporary Day mode.
---	--

Note: On the Ness LED keypad, the 'E' button is labelled 'ENTER' and the 'P' button is labelled 'PROGRAM'.

# PROGRAMMING

## QUICK START PROGRAMMING

Use one of these programming summaries for fast setup of your D8 as a Local, Audible Monitored or Central Station Monitored system.

The control panel will be ready for use immediately.

### QUICK START 1 - step by step

#### QUICK START 1 LOCAL SYSTEM

Quick Start 1 shows you how to change User Code 1 (the Master Code).

By default, the dialler is disabled until programmed.

STEP	KEY STROKES	DESCRIPTION	COMMENT
1	<b>P 1 2 3 E</b> *	Enter User Program Mode	Program Light is ON
2	<b>P 1 1 E</b>	Selects the option for User Code 1	The <b>existing</b> code is displayed by the keypad lights, followed by 3 beeps
3	<b>□ □ □ □ E</b>	Enter the new User Code	Can be 3 to 6 digits long
4	<b>□ □ □ □ E</b>	Enter the new User Code again	The <b>new</b> code is displayed by the keypad lights, followed by 3 beeps
5	<b>P E</b>	To exit Program Mode	Program light turns OFF

### QUICK START 2 - step by step

#### QUICK START 2 AUDIBLE MONITORING

Quick Start 2 shows you how to change User Code 1 (the Master Code), enable Audible Monitoring and program 1 telephone number. This will enable the dialler to report alarms to any telephone including mobile phones.

STEP	KEY STROKES	DESCRIPTION	COMMENT
1	<b>P 1 2 3 E</b> *	Enter User Program Mode	Program Light is ON
2	<b>P 0 0 0 0 0 0 0 E</b> *	Enter Installer Program Mode	Program Light is FLASHING
3	<b>P 1 1 E</b>	Selects the option for User Code 1	The <b>existing</b> code is displayed by the keypad lights, followed by 3 beeps
4	<b>□ □ □ □ E</b>	Enter the new User Code	Can be 3 to 6 digits long
5	<b>□ □ □ □ E</b>	Enter the new User Code again	The <b>new</b> code is displayed by the keypad lights, followed by 3 beeps
6	<b>P 8 6 E 4 E</b>	At P86E, turns ON option 4	Audible Monitoring enabled
7	<b>P 7 0 E</b>	Selects the option for Telephone No.1	
8	<b>□ ..... Up to 15 digits ..... □ E</b>	Enter the telephone number	Can be up to 15 digits long
9	<b>P E</b>	To exit Program Mode	Program light turns OFF

See page 58 for further information on the operation of Audible Monitoring.

### QUICK START 3 - step by step

#### QUICK START 3 CENTRAL STATION MONITORING

Quick Start 3 shows you how to change User Code 1 (the Master Code), enable Central Station Monitoring and program one telephone number. This will enable the dialler to report alarms to a Central Station.

STEP	KEY STROKES	DESCRIPTION	COMMENT
1	<b>P 1 2 3 E</b> *	Enter User Program Mode	Program Light is ON
2	<b>P 0 0 0 0 0 0 0 E</b> *	Enter Installer Program Mode	Program Light is FLASHING
3	<b>P 1 1 E</b>	Selects the option for User Code 1	The <b>existing</b> code is displayed by the keypad lights, followed by 3 beeps
4	<b>□ □ □ □ E</b>	Enter the new User Code	Can be 3 to 6 digits long
5	<b>□ □ □ □ E</b>	Enter the new User Code again	The <b>new</b> code is displayed by the keypad lights, followed by 3 beeps
6	<b>P 8 6 E 2 E</b> <sup>1</sup>	At P86E, turns ON option 2	Central station Monitoring enabled
7	<b>P 7 0 E</b>	Selects the option for Telephone No.1	Existing Ph No (if any) displayed
8	<b>□ ..... Up to 15 digits ..... □ E</b> <sup>2</sup>	Enter the Telephone Number	Can be up to 15 digits long
9	<b>P 7 2 E</b> <sup>3</sup>	Enter the Account Number	Must be 4 digits
10	<b>P E</b>	To exit Program Mode	Program light turns OFF

<sup>1</sup> Option P86E 2E is ON by factory default. This option only needs to be turned ON if previously programmed OFF.

<sup>2</sup> The Central Station's receiver telephone number - supplied by the Central Station

<sup>3</sup> Account Number to identify the premises - supplied by the Central Station

\* Factory default Master Code is: 123

\* Factory default Installer Code is: 000000

\*\* User codes must not start with 0.

# PROGRAMMING

## FACTORY DEFAULT

MASTER CODE: 123  
 INSTALLER CODE: 000000

## INSTALLER PROGRAM MODE

Installer Program Mode allows access to ALL program options.

Note: The panel will remain in Installer Program Mode indefinitely.

## USER PROGRAM MODE

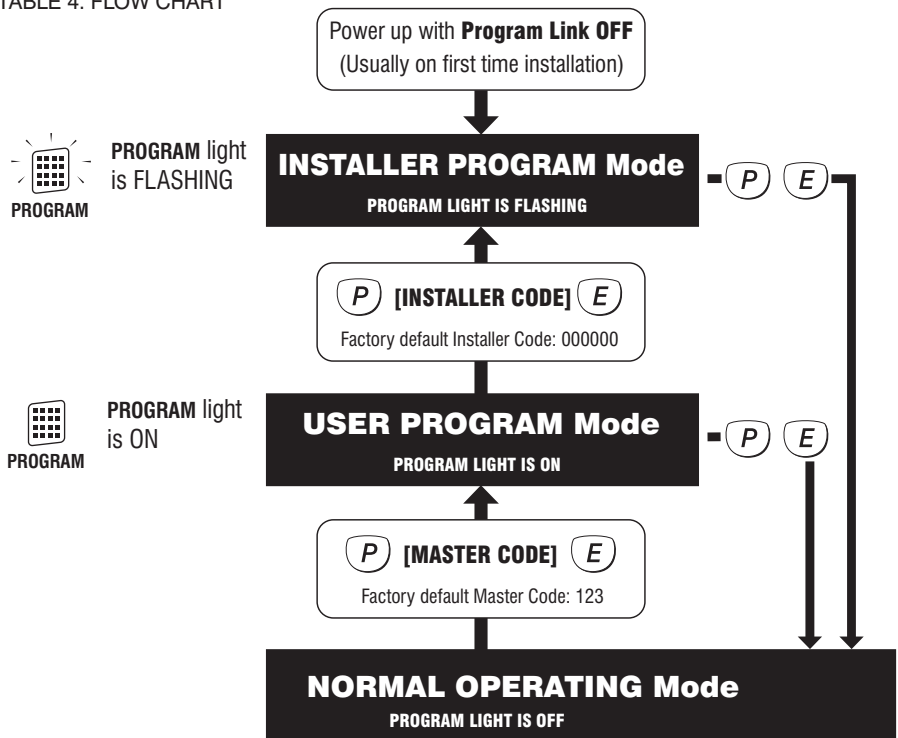
User Program Mode allows the owner to program:

- All User Codes
- Entry Exit Times
- Follow Me Telephone number

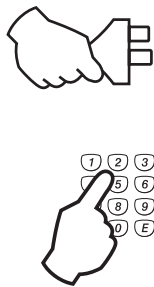
Note: The panel will automatically drop out of User Program Mode to Operating Mode if no keypad buttons are pressed for 4 minutes.

## PROGRAM MODE LEVELS

TABLE 4. FLOW CHART



## HOW TO ENTER PROGRAM MODE



### A FROM POWER UP

1. Power-up with the PROG link OFF.  
 (The PROG link (or Box Tamper lead) must be ON in Operating Mode).

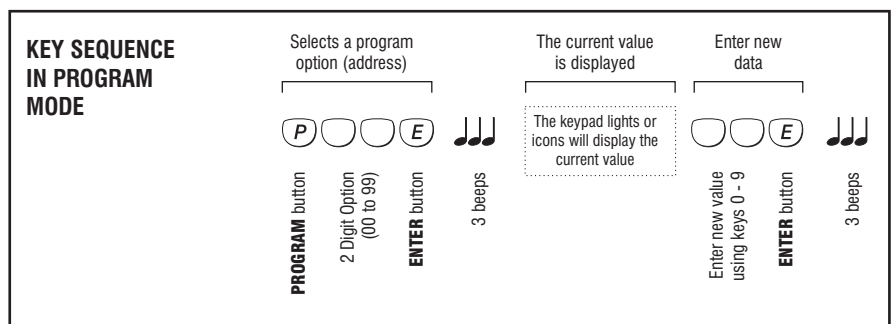
### B USING KEYPAD

The panel must be Disarmed.

1. Press **P** **[MASTER CODE]** **E** The keypad will respond with 3 beeps. This is User Program Mode (PROGRAM light is ON).
2. Press **P** **[INSTALLER CODE]** **E** The keypad will respond with 3 beeps. This is Installer Program Mode (PROGRAM light is FLASHING).

## HOW TO EXIT PROGRAM MODE

1. Press **P** then **E**  
 This is Operating Mode (PROGRAM light is OFF).



# PROGRAMMING

## P01E – P10E

### P11E – P25E

**PROGRAM MODE LEVEL:**  
User, Installer, Remote by PC

**FACTORY DEFAULT:**  
User Code 1: 123  
Installer Code: 000000  
All other codes: [blank]

- NOTES:**
- User Codes can be 3 to 6 digits in length.
  - Codes beginning with 0 (zero) can be programmed but they *will not* operate the panel - this is an alternative method for disabling user codes. The MEMORY E function is recommended for deleting user codes.
  - All codes must be unique to each other. Codes are rejected if already used. Some codes that are similar to existing codes may also be rejected.
  - User Codes 2–15 can be programmed to be ARM ONLY codes.
  - When programming a code you must enter it twice for verification.
  - To clear all codes (except the Installer Code), enter P98E in Installer Program mode. See Page 53.
  - Open/Close reports are identified by user number when the control panel is base station monitored.

**INSTALLER CODE NOTES:**  
The function of the Installer Code is to gain access to Installer Program Mode. See Page 13, How To Enter Program Mode.  
See page 53, Programming The Installer Code.



**Radio Key programming, Page 57**

## RADIO PROGRAMMING See pages 56,57

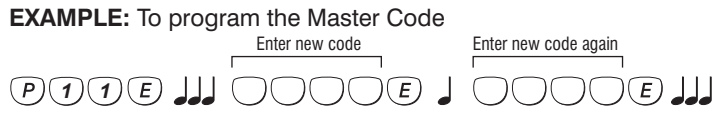
### USER CODES

User codes are the 3 to 6 digit codes used to operate the panel by keypad.

User Codes 1-15: Used to arm/disarm the panel. These codes can also be programmed as Arm Only codes. User Code 1 is also the Master Code which is used to access Client Program mode.

#### PROGRAMMING SEQUENCE:

**P [11-25] E** existing code is displayed  
**[ENTER NEW CODE] E [ENTER NEW CODE AGAIN] E** new code is displayed



#### TO DELETE A CODE:

To delete a User Code, enter the MEMORY key in place of the code.

**EXAMPLE:** To delete User Code 2:  
**P12E MEMORY E**

#### ARM ONLY CODES

User Codes 2–15 can optionally be programmed as Arm Only Codes, which can Arm but cannot Disarm the panel. (Used for cleaners, temporary staff, etc.)

Another feature of Arm Only codes is they can arm the panel directly from Monitor Mode. (Normal user codes can arm the panel only if it is fully disarmed first.)

**EXAMPLE:** To program User Code 2 to be 1234 and an Arm Only code:  
**P12E ARM E 1234E 1234E**

When the code is viewed in program mode, the ARMED icon is displayed before the digits of the code.

#### ARM ONLY CODE DISABLE

To deselect the Arm Only feature for a particular user code, simply enter the option for that code and press ARM E without re-entering a new code. This retains the existing code and toggles off the Arm Only feature.

#### CODE TABLE

CODE	OPTION No	DESCRIPTION	FACTORY DEFAULT	ENABLE AS A RADIO CODE
User Code 1	P11E	Master Code	123	(Keypad Code only)
User Code 2	P12E			2E
User Code 3	P13E			3E
User Code 4	P14E			4E
User Code 5	P15E			5E
User Code 6	P16E			6E
User Code 7	P17E			7E
User Code 8	P18E			8E
User Code 9	P19E			1E
User Code 10	P20E			2E
User Code 11	P21E			3E
User Code 12	P22E			4E
User Code 13	P23E			5E
User Code 14	P24E			6E
User Code 15	P25E			7E
Installer Code	P99E	Installer Code	000000	



# PROGRAMMING

OPTION No	DESCRIPTION	DEFAULT	NOTE
<b>P26E</b>	Entry Delay Time 1	20	Seconds
<b>P27E</b>	Entry Delay Time 2	6	x10 = 60 seconds
<b>P28E</b>	Exit Delay Time	60	Seconds
<b>P29E</b>	Siren Reset Time	5	Minutes

## P26E

**PROGRAM MODE LEVEL:**

User, Installer, Remote by PC

**FACTORY DEFAULT:**

20 seconds

**NOTES:**

- Programmable from 1 – 99 seconds

### ENTRY DELAY TIME1

The Entry Delay Time 1 is the time given to Disarm the Panel after a Entry Delay 1 zone is unsecured.

The Entry Delay Time1 setting is from 1 to 99 seconds.

**PROGRAMMING SEQUENCE:**

**P26E** existing time is displayed **[ENTER NEW TIME] E** new time is displayed

**EXAMPLE:** To program Entry Delay Time1 to be 30 seconds:

**P26E 30E**

## P27E

**PROGRAM MODE LEVEL:**

User, Installer, Remote by PC

**FACTORY DEFAULT:**

60 seconds

**NOTES:**

- Programmable from 10 – 990 seconds

### ENTRY DELAY TIME2

The Entry Delay Time2 is the time given to Disarm the panel after an Entry Delay2 zone is unsecured.

The Entry Delay Time2 setting is from 10 to 990 seconds (1 – 99).

Note: The Entry Delay Time2 is set in 10 second increments so that a value setting of 6 means a 60 seconds delay.

**PROGRAMMING SEQUENCE:**

**P27E** existing time is displayed **[ENTER NEW TIME] E** new time is displayed

**EXAMPLE:** To program Entry Delay Time2 to be 600 seconds:

**P27E 60E**

## P28E

**PROGRAM MODE LEVEL:**

User, Installer, Remote by PC

**FACTORY DEFAULT:**

60 seconds

**NOTES:**

- Programmable from 1 – 99 seconds

• RELATED OPTIONS:

**P62E 8E** Exit Time x10

### EXIT DELAY TIME

The Exit Delay Time is the time given to secure and depart the premises after the Panel is Armed. All zones (except 24hr zones) are inactive during the Exit Delay time.

The Exit Delay Time setting is from 1 to 99 seconds.

**PROGRAMMING SEQUENCE:**

**P28E** existing time is displayed **[ENTER NEW TIME] E** new time is displayed

**EXAMPLE:** To program Exit Delay to be 85 seconds:

**P28E 85E**

## P29E

**PROGRAM MODE LEVEL:**

Installer, Remote by PC

**FACTORY DEFAULT:**

5 minutes

**NOTES:**

- Programmable from 1 – 99 minutes
- Siren times of longer than 5 minutes are contrary to noise pollution regulations in most areas.

### SIREN RESET TIME

The Siren Reset Time sets the duration of the Siren and Reset outputs.

The Siren Reset Time setting is from 1 to 99 minutes.

**PROGRAMMING SEQUENCE:**

**P29E** existing time is displayed **[ENTER NEW TIME] E** new time is displayed

**EXAMPLE:** To program Siren Time to be 4 minutes:

**P29E 4E**



# PROGRAMMING

## P30E – P38E

**PROGRAM MODE LEVEL:**  
Installer, Remote by PC

**FACTORY DEFAULT:**  
Normal sensitivity.  
P30E, all zones = ON

**NOTES:**

- Sensitivity can be individually programmed for each zone.
- Zones are allocated to one sensitivity level at any one time. Turning a zone ON in a sensitivity level, turns the zone OFF in any other sensitivity level.
- To revert zone sensitivity back to Normal. Turn the required zone/s ON at Option 30.
- Avoid using P31 and P38 sensitivity – they are provided as a guide to the upper and lower limits.

**USING NESENSORS.**

Nessensors are sensitive to high frequencies and insensitive to low frequencies. Therefore it is not necessary to apply much force to the protected structure, rather a very rapid succession of blows.

The sensitivity has been correctly adjusted when a single blow applied with a soft object (e.g. by hand) does not cause an alarm whereas a rapid series of blows (using a metal object such as a screwdriver blade) will cause an alarm.

DO NOT USE P31 AND P38 SENSITIVITY - THEY ARE PROVIDED AS A GUIDE TO THE UPPER AND LOWER LIMITS.

### VIBRATION SENSITIVITY

Each zone has individually adjustable sensitivity for connection of Nessensor Vibration Sensors.

Zone sensitivity is adjusted by toggling zones ON in options P30E to P38E.

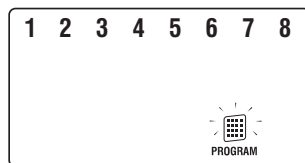
P30E, Normal Sensitivity– vibration analyser disabled. This is used for normal alarm devices. Zone response time, 200ms.

P31–38E are the options for the 8 levels of vibration sensitivities. P31E is the most sensitive setting.

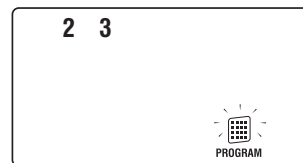
**PROGRAMMING SEQUENCE:**

**P [30–38] E zones are displayed [Zone No] E**

**EXAMPLE:** To program zones 2 and 3 to be Medium Sensitivity: **P34E 2E 3E** the keypad display will show zone lights 2 & 3 to be ON



**Factory Default Setting for P30E.**  
All zones selected ON = Normal sensitivity.



**Example P34E:** Zones 2 & 3 are Medium sensitivity.

### VIBRATION SENSITIVITY

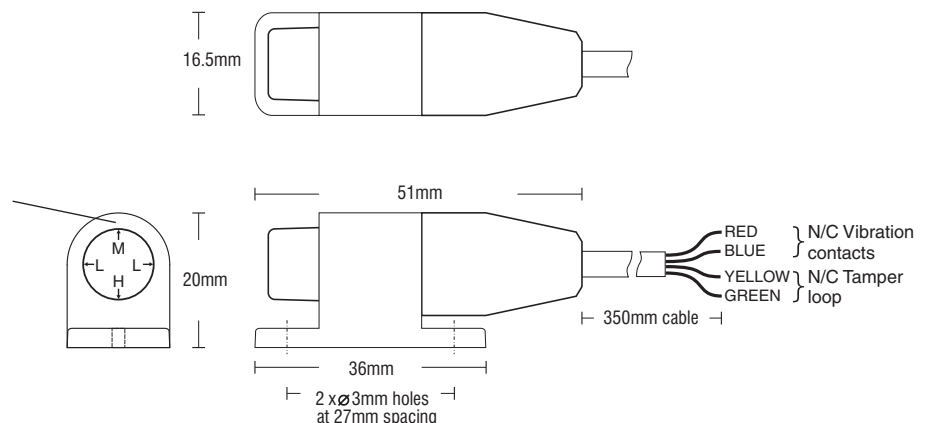
OPTION No	SENSITIVITY	Zones							
		1	2	3	4	5	6	7	8
P30E	Normal	ON	ON	ON	ON	ON	ON	ON	ON
P31E	High								
P32E									
P33E									
P34E									
P35E									
P36E									
P37E									
P38E	Low								

ON = Factory default setting

**Ness NESSENSOR Vibration sensor Part No. VIB100**

In addition to zone sensitivity adjustment, the overall sensitivity of the Nesssensor can be adjusted by rotating the body of the Nesssensor within its bracket.

The bracket must always be mounted horizontally and the arrow must point up for any required setting.



# PROGRAMMING

## ZONE ASSIGNMENT

OPTION No	DESCRIPTION	Zones							
		1	2	3	4	5	6	7	8
P39E	Double Trigger zones								
P40E	Instant zones			ON	ON	ON	ON	ON	ON
P41E	Entry Delay 1 zones	ON							
P42E	Handover zones		ON						
P43E	Entry Delay 2 zones								
P44E	Lockout zones	ON	ON	ON	ON	ON	ON	ON	ON
P45E	Area 1 zones	ON	ON	ON	ON	ON	ON	ON	ON
P46E	Area 2 zones								
P51E	Monitor zones								
P52E	24Hr zones								
P53E	Day zones								

**DELAY GROUP**  
Only one option allowed per zone

ON = Factory default setting

### P39E

**PROGRAM MODE LEVEL:**

Installer, Remote by PC

**FACTORY DEFAULT:**

all OFF: No Double Trigger zones

**NOTES:**

- Double Trigger is useful for preventing unwanted alarms from zones in harsh environments such as sheds and garages.
- **0E** will turn all selections OFF  
**MEMORY E** will turn all selections ON

### DOUBLE TRIGGER ZONES

Zones programmed to Double Trigger will recognise an alarm condition if:

- The zone has been triggered twice within a 4 minute period.
- If any 2 zones (both programmed for double trigger), each trigger once.
- The zone is left unsealed for longer than 15 seconds.

**PROGRAMMING SEQUENCE:**

**P39E [Zone No]E** toggles the options ON and OFF

P39E [Zone No]E OFF: The zone is not a Double Trigger zone

P39E [Zone No]E ON: The zone is a Double Trigger zone

### P40E

**PROGRAM MODE LEVEL:**

Installer, Remote by PC

**FACTORY DEFAULT:**

3E–8E ON: Zones 3–8 are Instant

**NOTES:**

- When a zone is selected for this type, it is automatically deselected from any other zone type in the DELAY GROUP

### INSTANT ZONES

Instant Zones operate only in the Armed state. When Armed at the expiry of exit time, Instant Zones will activate assigned outputs immediately when triggered.

**P40E [Zone No]E** turns the options ON

P40E [Zone No]E ON: The zone is an Instant Zone

To deselect the option, select a different zone type in the DELAY GROUP.

### P41E

**PROGRAM MODE LEVEL:**

Installer, Remote by PC

**FACTORY DEFAULT:**

1E ON: Zone 1 has Entry Delay1

**NOTES:**

- The keypad sonalert will beep during Entry Delay as a reminder to disarm the panel. Entry beeps can be disabled by program option P60E 1E.
- When a zone is selected for this type, it is automatically deselected from any other zone type in the DELAY GROUP

### ENTRY DELAY1 ZONES

Entry Delay1 zones operate only in the Armed state. When Armed, at the expiry of exit time these zones will activate the Entry Delay Timer1 (P26E) when they are triggered. If the panel is not disarmed before the expiry of the Entry Delay Timer1, the alarm outputs will be activated.

**P41E [Zone No]E** turns the options ON

P41E [Zone No]E ON: The zone is an Entry Delay1 zone

To deselect the option, select a different zone type in the DELAY GROUP.

# PROGRAMMING

## P42E

**PROGRAM MODE LEVEL:**  
Installer, Remote by PC

**FACTORY DEFAULT:**  
2E ON: Zone 2 is a Handover zone

**NOTES:**

- When a zone is selected for this type, it is automatically deselected from any other zone type in the DELAY GROUP

## P43E

**PROGRAM MODE LEVEL:**  
Installer, Remote by PC

**FACTORY DEFAULT:**  
all OFF: No zones have Entry Delay2

**NOTES:**

- When a zone is selected for this type, it is automatically deselected from any other zone type in the DELAY GROUP

## P44E

**PROGRAM MODE LEVEL:**  
Installer, Remote by PC

**FACTORY DEFAULT:**  
all ON: All zones are Lockout zones

**NOTES:**

- The SIREN output always locks out
- **0E** will turn all selections OFF  
**MEMORY E** will turn all selections ON
- RELATED OPTIONS:  
**P60E 4E** Tamper Reset Lockout

## P45E, P46E

## P47E – P50E

## P51E

**PROGRAM MODE LEVEL:**  
Installer, Remote by PC

**FACTORY DEFAULT:**  
all OFF: No Monitor zones

**NOTES:**

- RELATED OPTIONS:  
**P63E** Monitor Mode output mapping  
**P64E 1E** 2 second Monitor Mode alarm  
**P64E 3E** Monitor zones have Entry Delay2

## HANDOVER ZONES

Handover zones are delayed only if entry is made through an Entry Delay zone first. If a Handover zone is triggered first, the zone behaves as an instant zone. Normally, the “point of entry” zone should be Delay zone, with any other zones in the entry path programmed as Handover zones.

**PROGRAMMING SEQUENCE:**

**P42E [Zone No]E** turns the options ON

P42E [Zone No]E ON: The zone is a Handover zone  
To deselect the option, select a different zone type in the DELAY GROUP.

## ENTRY DELAY2 ZONES

When an Entry Delay2 zone is triggered, it has entry delay as set by the Entry Delay Time2 (P27E).

**PROGRAMMING SEQUENCE:**

**P43E [Zone No]E** turns the options ON

P43E [Zone No]E ON: The zone is an Entry Delay2 zone  
To deselect the option, select a different zone type in the DELAY GROUP.

## RESET LOCKOUT ZONES

All 8 zones and tamper input can be programmed to Lockout, i.e. cause the RESET OUTPUT to sound only once whilst the panel is armed.

The RESET OUTPUT is then locked out for that alarmed zone until entering a valid code has reset the panel.

**PROGRAMMING SEQUENCE:**

**P44E [Zone No]E** toggles the options ON and OFF

P44E [Zone No]E OFF: The zone is not a Lockout zone  
P44E [Zone No]E ON: The zone is a Lockout zone

## AREA PARTITIONING

See page 20

## ASSIGNING USER CODES TO AREAS

See page 21

## MONITOR ZONES

Monitor zones allow you to Arm selected zones while others are ignored. Typically used for perimeter zones such as windows and doors while you are at home.

Example: Upstairs zones are Disarmed while downstairs zones are Armed in Monitor mode.

**PROGRAMMING SEQUENCE:**

**P51E [Zone No]E** toggles the options ON and OFF

P51E [Zone No]E OFF: The zone is not a Monitor zone  
P51E [Zone No]E ON: The zone is a Monitor zone

# PROGRAMMING

## P52E

**PROGRAM MODE LEVEL:**  
Installer, Remote by PC

**FACTORY DEFAULT:**  
all OFF: No 24hr zones

**NOTES:**

- The Tamper input is always a 24hr zone
- For silent 24hr zones, deselect the zone/s from options P54E-P57E (Reset, Strobe, Sonalert & Siren)
- To change a 24hr zone to any other zone type, the zone must also be re-assigned to an AREA (P45E or P46E).

## P53E

**PROGRAM MODE LEVEL:**  
Installer, Remote by PC

**FACTORY DEFAULT:**  
all OFF: No Day zones

**NOTES:**

- RELATED OPTIONS:  
**P63E 5E-8E** Day zone output mapping  
**P64E 2E** Brief Day Mode alarm
- TYPICAL USES: Instant alert when a delivery door is opened, doorway alert for a shop.

## 24hr ZONES

24hr Zones operate at all times regardless of the mode of panel operation, i.e. Armed, Disarmed or Monitor. When alarmed, these zones will activate assigned outputs immediately. To reset those alarms a valid user code must be entered.

Selecting a zone as 24hr will override any other zone type setting such as Instant, Delayed or Handover. 24hr zones are independent of Area operation. All other zone types must be assigned to at least one Area to become active.

**PROGRAMMING SEQUENCE:**

**P52E [Zone No]E** toggles the options ON and OFF

P52E [Zone No]E OFF: The zone is not a 24hr zone

P52E [Zone No]E ON: The zone is a 24hr zone

## DAY ZONES

Day Zones operate when the panel is fully disarmed, i.e. when Area 1, Area 2 and Monitor are all off. When alarmed, these zones will activate the assigned outputs instantly.

The outputs mapped to the Day Zone will turn on while the zone is unsealed. Turn P64E 2E on, to limit Day Zone alarms to 2 seconds.

**PROGRAMMING SEQUENCE:**

**P53E [Zone No]E** toggles the options ON and OFF

P53E [Zone No]E OFF: The zone is not a Day zone

P53E [Zone No]E ON: The zone is a Day zone

## TEMPORARY DAY ZONES

D8 Version (v4.6 onwards) introduces the 'Temporary Day Zone' feature which allows easy and flexible Day Zone selection and operation.

While remaining in normal operating mode, the user can add and remove 'Temporary Day Zones' and enable/disable day zone operation using simple key strokes.

### TO ENABLE TEMPORARY DAY ZONES

To enable Temporary Day Zone selection and operation, the Brief Day Alarm feature (installer option P64E 2E) must be ON. If P64E 2E is OFF, the Temporary Day Zone feature will be unavailable but Permanent Day Zones will still operate and will sound the programmed output while the zone is unsealed.

P64E 2E is OFF by default.

### USER COMMANDS (In normal Operating Mode).

**(P) + (E)** Selection Mode. Enter **P** followed by **E** when in operating mode to enter Temporary Day Zone selection mode.

**[Zone No.] + (E)** Zone Selection. To select or deselect zones to be Temporary Day Zones. The selected zones are indicated by the corresponding zone number.

Permanent Day Zones, (set by installer option P53E), are not displayed in selection mode. Permanent Day Zones can be selected as Temporary Day Zones but this has no effect as those zones are already day zones.

**(E)** Saves changes and returns to normal operating mode.

**(O) + (E)** Enables and Disables Day Mode. This enables/disables both Temporary and Permanent Day Zones.

When Day Mode is enabled, any unsealed day zone will sound the programmed output for 2 seconds. When Day Mode is disabled, an unsealed day zone will simply be indicated on the keypad as an unsealed zone. (Note: The keypad does not indicate if Day Mode is enabled or disabled).

## AUX 2 OPTION

When the Temporary Day Zone feature is enabled, the installer option P63E 6E selects Aux 2 output instead of the strobe output. This allows a remote warning device such as a buzzer to be connected for day zone warning. This may be needed if an additional audible day zone warning is needed, although the keypad sonalert, (P63E 7E), is more than adequate in most cases.

### RELATED OPTIONS

**P64E 2E**, Brief Day Alarm. Turn this option on to enable Temporary Day Zones. Factory default = OFF.

**P63E 5E**, Day Mode to Reset output.

**P63E 6E**, Day Mode to Strobe output.

If P64E 2E is ON, then this option sends day alarms to the AUX 2 output.

**P63E 7E**, Day Mode to Sonalert.

**P63E 8E**, Day Mode to Siren output.

**P53E**, Permanent Day Zone selection.

**(i)** Temporary Day Zone selections will be lost if the panel is powered down or reset, but are not affected by arming/disarming or entering program mode.

# PROGRAMMING

## AREA PARTITIONING

### DEFINITION

Area Partitioning allows the 8 zones to be split into two partitions; Area1 and Area2.

The panel then effectively operates as two separate systems sharing only the siren outputs and dialler.

### USER CODE ASSIGNMENT

A User Code assigned to an Area can Arm and Disarm only that Area. User Codes assigned to both Areas will operate both Areas simultaneously.

### COMMON AREA ZONES

Zones assigned to both Areas are armed only when Area1 and Area2 are both armed. This allows the Common Area zone/s to be shared by both Areas.

For example, Office A and Office B operate as separate areas but the entrance foyer used by both offices is assigned to *both* areas meaning it will automatically Arm when both Areas have Armed. The Common Area then automatically disarms when either Area1 or Area2 Disarms.

### OPERATION

Arming and Disarming is carried out as normal from a single keypad or separate keypads installed in both areas or by Radio Key.

Area operation only applies to zones when they are in the armed state. This means that Day, 24hr and Monitor zones are independent of the area operations.

Note: Area partitioning is in addition to Monitor Mode. Any zone may be allocated to any area.

OPTION No	DESCRIPTION	Zones							
		1	2	3	4	5	6	7	8
P45E	Area 1 zones	ON	ON	ON	ON	ON	ON	ON	ON
P46E	Area 2 zones								

ON = Factory default setting

## P45E, P46E

### PROGRAM MODE LEVEL:

Installer, Remote by PC

### FACTORY DEFAULT:

No zones assigned to Area 2.

### NOTES:

- For options P45E and P46E, **[Zone No] E** toggles the selection ON and OFF.
- Zones assigned to BOTH areas become Common zones.
- If no Area operation is required, assign all zones to Area 1. (This is also the factory default).

## ASSIGNING ZONES TO AREAS

Assign (or remove) zones that will operate when Area 2 is armed.

### PROGRAMMING SEQUENCE:

**P45E [Zone No]E** toggles the options ON and OFF for Area1

P45E [Zone No]E OFF: The zone is not in Area1

P45E [Zone No]E ON: The zone is in Area1

**P46E [Zone No]E** toggles the options ON and OFF for Area2

P46E [Zone No]E OFF: The zone is not in Area2

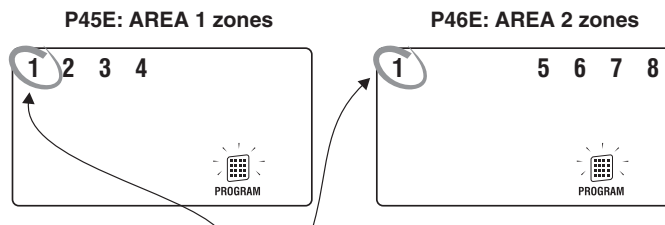
P46E [Zone No]E ON: The zone is in Area2

### EXAMPLE:

To program zones 1~4 for Area 1 and zones 1, 5~8 for Area 2. In this example, we have assigned zone 1 to both areas, so it becomes a Common Zone.

**P45E** use the **[Zone No] E** sequence to turn ON only zones 1~4.

**P46E** use the **[Zone No] E** sequence to turn ON zone 1 and zones 5~8.



**Example:**  
Zone 1 is assigned to both Areas, so it is a **Common Zone**

# PROGRAMMING

OPTION No	DESCRIPTION	1E	2E	3E	4E	5E	6E	7E	8E
P47E	Codes 1-8 to AREA1	ON	ON	ON	ON	ON	ON	ON	ON
P49E	Codes 1-8 to AREA2	ON							

ON = Factory default setting.

OPTION No	DESCRIPTION	1E	2E	3E	4E	5E	6E	7E
P48E	Codes 9-15 to AREA1	ON	ON	ON	ON	ON	ON	ON
P50E	Codes 9-15 to AREA2							

## P47E, P48E

### DESCRIPTION:

Area 1 User Codes

### PROGRAM MODE LEVEL:

Installer, Remote by PC

### FACTORY DEFAULT:

All User Codes assigned to Area 1

## P49E, P50E

### DESCRIPTION:

Area 2 User Codes

### PROGRAM MODE LEVEL:

Installer, Remote by PC

### FACTORY DEFAULT:

User Code 1 (Master Code) assigned to Area 2.

### NOTES:

- User Codes can be assigned to either a single Area or to both Areas.
- If a User Code is assigned to NO Areas, the code is effectively disabled and will not operate the panel.
- To make a User Code arm or disarm just one Area, assign that code only to the required Area.
- Assigning User Codes to Areas has no effect unless zones are also assigned to Areas.
- For this option [Zone No] E toggles the selection ON and OFF.

## ASSIGNING USER CODES TO AREAS

Assign (or remove) User Codes to Areas.

### PROGRAMMING SEQUENCE:

**P47E 1E-8E** toggles the options ON and OFF

Assigns User Codes 1-8 to **AREA1**

**P48E 1E-7E** toggles the options ON and OFF

Assigns User Codes 9-15 to **AREA1**

**P49E 1E-8E** toggles the options ON and OFF

Assigns User Codes 1-8 to **AREA2**

**P50E 1E-7E** toggles the options ON and OFF

Assigns User Codes 9-15 to **AREA2**

### EXAMPLE:

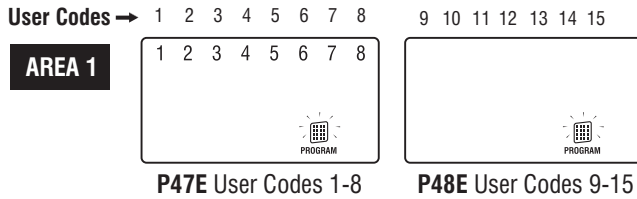
To assign User Codes 1-8 to AREA1 and User Codes 9-15 to AREA2.

**P47E** turn ON lights 1-8

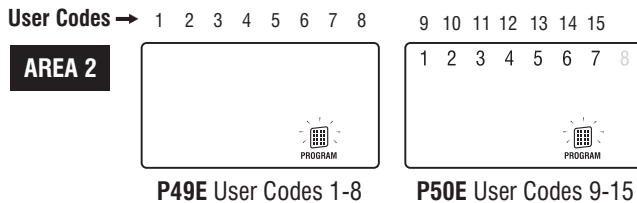
**P48E** turn OFF lights 1-7

**P49E** turn OFF lights 1-8

**P50E** turn ON lights 1-7



**EXAMPLE:**  
User codes 1-8 are assigned to AREA 1.



**EXAMPLE:**  
User codes 9-15 are assigned to AREA 2.

# PROGRAMMING

## ZONE TO OUTPUT MAPPING

When a zone alarms, it can turn on any or all of the following 6 outputs: Sonalert, Strobe, Siren, Reset, AUX1, AUX2.

The programming is selected with options P54E – P59E. Simply set the zone number to the output to select it. The zone LED will indicate if the zone is selected.

The Tamper Input and the Keypad Panic can be programmed to turn on the Reset, Strobe, Sonalert and Siren by using option P61E.

## ZONE TO OUTPUTS MAPPING

OPTION No	DESCRIPTION	Zones							
		1	2	3	4	5	6	7	8
P54E	Reset zones	ON	ON	ON	ON	ON	ON	ON	ON
P55E	Strobe zones	ON	ON	ON	ON	ON	ON	ON	ON
P56E	Sonalert zones	ON	ON	ON	ON	ON	ON	ON	ON
P57E	Siren zones	ON	ON	ON	ON	ON	ON	ON	ON
P58E	Aux1 zones								
P59E	Aux2 zones								

ON = Factory default setting

**NOTE: Zone To Output Mapping applies to zones when the panel is in the Armed or 24hr state.**

**For MONITOR and DAY mode Output Mapping – see Option P63E 1E–8E, page 28**

P51~P53E, page 19

### P54E

**PROGRAM MODE LEVEL:**

Installer, Remote by PC

**FACTORY DEFAULT:**

all ON: All zones trigger Reset output

**NOTES:**

- **OE** will turn all selections OFF
- **MEMORY E** will turn all selections ON

### P55E

**PROGRAM MODE LEVEL:**

Installer, Remote by PC

**FACTORY DEFAULT:**

all ON: All zones trigger Strobe output

**NOTES:**

- **OE** will turn all selections OFF
- **MEMORY E** will turn all selections ON

### P56E

**PROGRAM MODE LEVEL:**

Installer, Remote by PC

**FACTORY DEFAULT:**

all ON: All zones trigger Keypad Sonalert

**NOTES:**

- **OE** will turn all selections OFF
- **MEMORY E** will turn all selections ON

## RESET OUTPUT ZONES

Selects the zones to trigger the Reset output.

**PROGRAMMING SEQUENCE:**

**P54E [Zone No]E** toggles the options ON and OFF

P54E [Zone No]E OFF: The zone will not trigger the Reset output

P54E [Zone No]E ON: The zone will trigger the Reset output

## STROBE OUTPUT ZONES

Selects the zones to trigger the Strobe output.

**PROGRAMMING SEQUENCE:**

**P55E [Zone No]E** toggles the options ON and OFF

P55E [Zone No]E OFF: The zone will not trigger the Strobe output

P55E [Zone No]E ON: The zone will trigger the Strobe output

## KEYPAD SONALERT ZONES

Selects the zones to trigger the Keypad Sonalert (beeper).

**PROGRAMMING SEQUENCE:**

**P56E [Zone No]E** toggles the options ON and OFF

P56E [Zone No]E OFF: The zone will not trigger the Keypad Sonalert

P56E [Zone No]E ON: The zone will trigger the Keypad Sonalert



# PROGRAMMING

## P57E

**PROGRAM MODE LEVEL:**

Installer, Remote by PC

**FACTORY DEFAULT:**

all ON: All zones trigger Siren output

**NOTES:**

- **0E** will turn all selections OFF  
**MEMORY E** will turn all selections ON

## P58E

**PROGRAM MODE LEVEL:**

Installer, Remote by PC

**FACTORY DEFAULT:**

all OFF: No zones trigger AUX1

**NOTES:**

- **0E** will turn all selections OFF  
**MEMORY E** will turn all selections ON

## P59E

**PROGRAM MODE LEVEL:**

Installer, Remote by PC

**FACTORY DEFAULT:**

all OFF: No zones trigger AUX2

**NOTES:**

- **0E** will turn all selections OFF  
**MEMORY E** will turn all selections ON

## SIREN OUTPUT ZONES

Selects the zones to trigger the Siren output.

**PROGRAMMING SEQUENCE:**

**P57E [Zone No]E** toggles the options ON and OFF

P57E [Zone No]E OFF: The zone will not trigger the Siren output

P57E [Zone No]E ON: The zone will trigger the Siren output

## AUX1 OUTPUT ZONES

Selects the zones to trigger the AUX1 output. AUX1 output is Pin1 on the J3 header on the main board.

Once turned on by a zone alarm, the output will remain on until the panel is reset/disarmed.

**PROGRAMMING SEQUENCE:**

**P58E [Zone No]E** toggles the options ON and OFF

P58E [Zone No]E OFF: The zone will not trigger the AUX1 output

P58E [Zone No]E ON: The zone will trigger the AUX1 output

## AUX2 OUTPUT ZONES

Selects the zones to trigger the AUX2 output. AUX2 output is Pin2 on the J3 header on the main board.

Once turned on by a zone alarm, the output will remain on until the panel is reset/disarmed.

**PROGRAMMING SEQUENCE:**

**P59E [Zone No]E** toggles the options ON and OFF

P59E [Zone No]E OFF: The zone will not trigger the AUX2 output

P59E [Zone No]E ON: The zone will trigger the AUX2 output

# PROGRAMMING

Entry beeps  
 Keysw Monitor/Disarm  
 Keysw/Arm/Disarm  
 Tamper siren lockout  
 Duress to Reset output  
 Auto Exclude zones  
 Auto KP display off  
 Delay AREA1-2 outputs

OPTION No	DESCRIPTION	1E	2E	3E	4E	5E	6E	7E	8E
P60E	Various options	ON			ON		ON		

ON = Factory default setting.

## P60E 1E

**PROGRAM MODE LEVEL:**  
 Installer, Remote by PC

**FACTORY DEFAULT:**  
 Entry Beeps ON

**NOTES:**

### ENTRY BEEPS

The sionalert will beep during Entry Delay.

#### PROGRAMMING SEQUENCE:

**P60E 1E** toggles the option ON and OFF

P60E 1E OFF: Entry Beeps OFF

P60E 1E ON: Entry Beeps ON

## P60E 2E, 3E

**PROGRAM MODE LEVEL:**  
 Installer, Remote by PC

**FACTORY DEFAULT:**  
 No keyswitch enabled

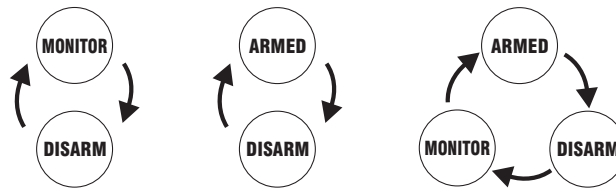
**NOTES:**

- The keyswitch always Arms Area1 only.
- The keyswitch always Disarms Area1 and Area2.
- Momentary short circuit across resistor to toggle panel modes.
- Open circuit resistor to trigger keyswitch panic.
- Multiple keyswitches can be used. Wire in parallel.

### KEYSWITCH OPERATION

An externally fitted, normally open momentary Keyswitch can be used to Arm, Disarm or change the D8 to Monitor mode.

The keyswitch is wired to zone 8 (zone 8 is then no longer available as a normal alarm input, but IS still available for use as a Radio Zone).



P60E 2E is ON

P60E 3E is ON

P60E 2E is ON  
 P60E 3E is ON

#### PROGRAMMING SEQUENCE:

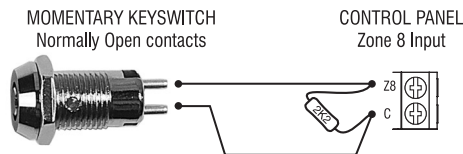
**P60E 2E or 3E** toggles the option ON and OFF

P60E 2E & 3E OFF: No keyswitch operation. Zone 8 is a normal alarm input.

P60E 2E ON: Keyswitch cycles between Monitor and Disarm.

P60E 3E ON: Keyswitch cycles between Arm and Disarm.

P60E 2E & 3E ON: Keyswitch cycles between Arm, Monitor and Disarm.



# PROGRAMMING

## P60E 4E

### PROGRAM MODE LEVEL:

Installer, Remote by PC

### FACTORY DEFAULT:

ON: Tamper Reset Lockout enabled

### NOTES:

RELATED OPTIONS:

**P44E** Lockout zones

## P60E 5E

### PROGRAM MODE LEVEL:

Installer, Remote by PC

### FACTORY DEFAULT:

OFF: No Reset output on Duress alarm

### NOTES:

- RELATED OPTIONS:  
**P75E 1E** Enable reporting of Duress

## P60E 6E

### PROGRAM MODE LEVEL:

Installer, Remote by PC

### FACTORY DEFAULT:

ON: Auto Exclude enabled

### NOTES:

- RELATED OPTIONS:  
**P62E 7E** Siren burst on Auto Exclude

## P60E 7E

### PROGRAM MODE LEVEL:

Installer, Remote by PC

### FACTORY DEFAULT:

OFF: Display is always ON

### NOTES:

- On the LCD keypad, the display and display backlighting will turn off but the keys backlighting will remain on. The keypad flap can be closed to reduce stray light from the keys.

## P60E 8E

### PROGRAM MODE LEVEL:

Installer, Remote by PC

### FACTORY DEFAULT:

OFF: ARM1 & ARM2 outputs are instant

### NOTES:

## TAMPER ALARM LOCKOUT

This option programs the Tamper input to Lockout, i.e. cause the Siren & Reset outputs to sound only once whilst the panel is armed.

### PROGRAMMING SEQUENCE:

**P60E 4E** toggles the option ON and OFF

P60E 4E OFF: Tamper Reset Lockout disabled

P60E 4E ON: Tamper Reset Lockout enabled

## DURESS TO RESET OUTPUT

Keypad Duress is normally a silent alarm. This option makes the Duress alarm trigger the Reset output. To Disarm with Duress, add any of the digits 5,6,8 or 9 in front of the user code when Disarming.

### PROGRAMMING SEQUENCE:

**P60E 5E** toggles the option ON and OFF

P60E 5E OFF: No Reset output on Duress alarm

P60E 5E ON: Duress alarm triggers Reset output

## AUTO EXCLUDE ZONES

If a zone is unsealed at the end of Exit Time the panel can either Exclude (ignore) that zone or immediately alarm.

The panel will give a 2 second Siren burst at the end of Exit Time to indicate that the panel is armed with a zone/s Auto Excluded. The 2 sec Siren burst can be disabled by option P62E 7E.

### PROGRAMMING SEQUENCE:

**P60E 6E** toggles the option ON and OFF

P60E 6E OFF: Auto Exclude disabled (instant alarm if unsealed at end of Exit Time)

P60E 6E ON: Auto Exclude enabled (zone is excluded if unsealed at end of Exit Time)

## DISABLE THE DISPLAY

The LED indicators on the keypad can be programmed to blank after 4 minutes of no keypad use. Any action that causes a beep will restore the display (Use the **(E)** button preferably).

### PROGRAMMING SEQUENCE:

**P60E 7E** toggles the option ON and OFF

P60E 7E OFF: Display is always on

P60E 7E ON: Display will blank after 4 minutes

## DELAY ARM1 & ARM2 OUTPUTS

The output ARM1 turns on when Area 1 is armed. The output ARM2 turns on when Area 2 is armed. These outputs can be programmed to turn on instantly or at the end of Exit Time

ARM1 & ARM2 outputs are Pins 3 & 4 on the J3 header on the main board.

### PROGRAMMING SEQUENCE:

**P60E 8E** toggles the option ON and OFF

P60E 8E OFF: ARM1 & ARM2 outputs turn on instantly

P60E 8E ON: ARM1 & ARM2 outputs turn on at end of Exit Time

# PROGRAMMING

Tamper to Reset output  
 Tamper to Strobe output  
 Tamper to Sonalert  
 Tamper to Siren output  
 KP Panic to Reset output  
 KP Panic to Strobe output  
 KP Panic to Sonalert  
 KP Panic to Siren output

OPTION No	DESCRIPTION	1E	2E	3E	4E	5E	6E	7E	8E
P61E	Tamper & Panic alarms mapping	ON	ON	ON	ON	ON	ON	ON	ON

ON = Factory default setting.

## P61E 1E-4E

**PROGRAM MODE LEVEL:**  
Installer, Remote by PC

**FACTORY DEFAULT:**  
1E-4E, ON: Tamper alarm triggers all outputs

- NOTES:**
- A Tamper Alarm can be caused by the TAMP input or by removing the the J1 link.

## TAMPER ALARM / OUTPUT MAPPING

This option selects which outputs will trigger when a Tamper Alarm occurs.

### PROGRAMMING SEQUENCE:

- P61E 1E-4E** toggles the options ON and OFF
- P61E 1E: Tamper Alarm to Reset output
- P61E 2E: Tamper Alarm to Strobe output
- P61E 3E: Tamper Alarm to Keypad Sonalert output
- P61E 4E: Tamper Alarm to Siren output

## P61E 5E-8E

**PROGRAM MODE LEVEL:**  
Installer, Remote by PC

**FACTORY DEFAULT:**  
5E-8E, ON: Panic alarm triggers all outputs

- NOTES:**
- A Keypad Panic Alarm can be caused by the PANIC keys on the keypad (\* E or \*\* together, depending on Option P64E6E).

## KEYPAD PANIC ALARM / OUTPUT MAPPING

This option selects which outputs will trigger when a Keypad Panic alarm occurs.

### PROGRAMMING SEQUENCE:

- P61E 5E-8E** toggles the options ON and OFF
- P61E 5E: Keypad Panic Alarm to Reset output
- P61E 6E: Keypad Panic Alarm to Strobe output
- P61E 7E: Keypad Panic Alarm to Keypad Sonalert output
- P61E 8E: Keypad Panic Alarm to Siren output

# PROGRAMMING

Shortcut Memory Display  
 Shortcut Zone Exclude  
 Shortcut Monitor Mode  
 Shortcut Keypad Panic  
 Shortcut Area1 Arming  
 2 sec Siren Auto Exclude  
 Exit Time x10

OPTION No	DESCRIPTION	1E	2E	3E	4E	5E	6E	7E	8E
P62E	Operation Shortcuts, etc	ON	ON	ON		ON		ON	

ON = Factory default setting.

## P62E 1E-6E

### PROGRAM MODE LEVEL:

Installer, Remote by PC

### FACTORY DEFAULT:

- 1E, ON: Memory Display shortcut enabled
- 2E, ON: Zone Exclude shortcut enabled
- 3E, ON: Monitor Mode shortcut enabled
- 4E, OFF: Keypad Panic disabled
- 5E, ON: Area1 Arming shortcut enabled
- 6E, OFF: Area2 Arming shortcut disabled

### NOTES:

- A Tamper Alarm can be caused by the TAMP input or the J1 link.
- Allocate a User Code to Area2 before programming Area2 shortcut arming. If Area 2 is shortcut armed then it will always remain armed. This will bar entry into program mode until Area 2 is disarmed.

## P62E 7E

### PROGRAM MODE LEVEL:

Installer, Remote by PC

### FACTORY DEFAULT:

ON: Siren burst on Auto Exclude enabled

### NOTES:

- RELATED OPTIONS:  
P60E 6E Auto Exclude zones

## P62E 8E

### PROGRAM MODE LEVEL:

Installer, Remote by PC

### FACTORY DEFAULT:

OFF: Exit Time x10 disabled

### NOTES:

- RELATED OPTIONS:  
P28E Exit Time

## SYSTEM OPERATION SHORTCUTS

Some keypad operations can be programmed to operate with or without a User Code.

### PROGRAMMING SEQUENCE:

**P62E 1E-6E** toggles the options ON and OFF

- P62E 1E Memory Display shortcut
- P62E 2E Zone Exclude shortcut
- P62E 3E Monitor Mode shortcut
- P62E 4E Keypad Panic shortcut
- P62E 5E Area1 Arming shortcut
- P62E 6E Area2 Arming shortcut

### OPERATING EXAMPLES:

Arming without shortcut: **ARM** [User Code] **E**

Arming with shortcut: **ARM** **E**

Keypad Panic without shortcut: \* [User Code] **E**

Keypad Panic with shortcut: \* **E**

## SIREN BURST ON AUTO EXCLUDE

This option allows the disabling of the 2 second siren burst at end of Exit Time which indicates a zone/s has been Auto Excluded.

### PROGRAMMING SEQUENCE:

**P62E 7E** toggles the option ON and OFF

- P62E 7E OFF: Siren burst on Auto Exclude disabled
- P62E 7E ON: Siren burst on Auto Exclude enabled

## EXIT TIME X10

This option multiplies the normal exit time by a factor of 10.

### PROGRAMMING SEQUENCE:

**P62E 8E** toggles the option ON and OFF

- P62E 8E OFF: Exit Time is the time set by P28E
- P62E 8E ON: Exit Time is multiplied by 10

**EXAMPLE:** If P28E = 22 seconds then if P62E 8E is ON, the exit time is 22 x 10 = 220 seconds.

# PROGRAMMING

Monitor to Reset output  
 Monitor to Strobe output  
 Monitor to Sonalert output  
 Monitor to Siren output  
 Day Mode to Reset output  
 Day Mode to Strobe output  
 Day Mode to Sonalert output  
 Day Mode to Siren output

OPTION No	DESCRIPTION	1E	2E	3E	4E	5E	6E	7E	8E
P63E	Monitor & Day mode output mapping					ON	ON		

ON = Factory default setting.

## P63E 1E-4E

### PROGRAM MODE LEVEL:

Installer, Remote by PC

### FACTORY DEFAULT:

1E-4E OFF: No Monitor Mode outputs

### NOTES:

- RELATED OPTIONS:  
P64E 1E 2second Monitor alarm

## MONITOR MODE OUTPUT MAPPING

This option selects which outputs are triggered by alarms in Monitor Mode.

### PROGRAMMING SEQUENCE:

**P63E 1E-4E** toggles the options ON and OFF

P63E 1E: Monitor Mode to Reset output

P63E 2E: Monitor Mode to Strobe output

P63E 3E: Monitor Mode to Keypad Sonalert output

P63E 4E: Monitor Mode to Siren output

## P63E 5E-8E

### PROGRAM MODE LEVEL:

Installer, Remote by PC

### FACTORY DEFAULT:

5E, 6E ON

7E, 8E OFF

### NOTES:

- RELATED OPTIONS:  
P64E 2E 2second Day alarm

## DAY MODE OUTPUT MAPPING

This option selects which outputs are triggered by alarms in Day Mode.

### PROGRAMMING SEQUENCE:

**P63E 5E-8E** toggles the options ON and OFF

P63E 5E: Day Mode to Reset output

P63E 6E: Day Mode to Strobe output, (If Brief Day Alarm is enabled, (P64E 2E), then this option sends day alarms to the AUX2 output).

P63E 7E: Day Mode to Keypad Sonalert output

P63E 8E: Day Mode to Siren output

**For ZONE TO OUTPUT MAPPING (Armed & 24hr states)**

– see Options P54E – P59E, page 22

# PROGRAMMING

2 Second Monitor Alarm  
 2 second Day Alarm  
 Monitor zones Entry2  
 Radio Key chirp & flash  
 50Hz mains frequency  
 Double Key Keypad Panic  
 Keypad Fire Alarm  
 Keypad Medical Alarm

OPTION No	DESCRIPTION	1E	2E	3E	4E	5E	6E	7E	8E
P64E	Miscellaneous options		ON	ON		ON	ON		

ON = Factory default setting.

## P64E 1E

### PROGRAM MODE LEVEL:

Installer, Remote by PC

### FACTORY DEFAULT:

OFF: Brief Monitor Alarm disabled

### NOTES:

- RELATED OPTIONS:
  - P51E Set Monitor zones
  - P63E 1E-4E Monitor Mode output mapping

## P64E 2E

### PROGRAM MODE LEVEL:

Installer, Remote by PC

### FACTORY DEFAULT:

OFF: Brief Day Alarm disabled

### NOTES:

- RELATED OPTIONS:
  - P53E Assign Day zones
  - P63E 5E-8E Day Mode output mapping

## P64E 3E

### PROGRAM MODE LEVEL:

Installer, Remote by PC

### FACTORY DEFAULT:

ON: Monitor zones all have Entry Delay 2

### NOTES:

- RELATED OPTIONS:
  - P27E Entry Delay Time 2
  - P51E Assign Monitor zones
  - P63E 1E-4E Monitor Mode output mapping

## P64E 4E

### PROGRAM MODE LEVEL:

Installer, Remote by PC

### FACTORY DEFAULT:

OFF: No siren chirps

### NOTES:

- RELATED OPTIONS:
  - P68E 8E Quiet Chirps

## BRIEF MONITOR MODE ALARM

Alarms in Monitor Mode can either activate the programmed outputs for Siren Time duration (P29E) or they can activate the outputs for 2 seconds only.

### PROGRAMMING SEQUENCE:

**P64E 1E** toggles the option ON and OFF

P64E 1E OFF: Monitor Mode outputs have normal time as set by P29E

P64E 1E ON: Monitor Mode outputs are ON for 2 seconds only

## BRIEF DAY ALARM

Alarms in Day Mode will activate the programmed outputs while the zone is unsealed or they can activate the outputs for 2 seconds only.

**This option also enables the TEMPORARY DAY ZONE feature. See page 19.**

### PROGRAMMING SEQUENCE:

**P64E 2E** toggles the option ON and OFF

P64E 2E OFF: Brief Day Alarm disabled. Day alarm outputs are ON while the zone is unsealed

P64E 2E ON: Brief Day Alarm Enabled. Day alarm outputs are ON for 2 seconds only

## MONITOR ZONES ENTRY DELAY 2

Monitor zones can either have the delay types set by options P40E-P43E or they can all be assigned to have Entry Delay 2. This allows all Monitor zones to be programmed with the same entry delay time.

### PROGRAMMING SEQUENCE:

**P64E 3E** toggles the option ON and OFF

P64E 3E OFF: Monitor zones behave as programmed by P40E-P43E

P64E 3E ON: Monitor zones all have Entry Delay 2

## ARM/DISARM CHIRPS

If this option is selected the Siren output will "Chirp" when the panel is Armed and Disarmed with the Keyswitch input or Radio Keys. This option applies to siren chirps - the strobe output always flashes when arming/disarming by keyswitch or radio key.

The panel will make 1 Chirp on Arming, and 3 Chirps on Disarming.

### PROGRAMMING SEQUENCE:

**P64E 4E** toggles the option ON and OFF

P64E 4E OFF: No Arm/Disarm siren chirps

P64E 4E ON: Siren & Strobe outputs will chirp on arm/disarm



# PROGRAMMING

## P64E 5E

### PROGRAM MODE LEVEL:

Installer, Remote by PC

### FACTORY DEFAULT:

ON: 50Hz mains frequency

### NOTES:

## 50Hz MAINS FREQUENCY

Selects either 50Hz or 60Hz mains power frequency operation. Leave the factory default for use in Australia and New Zealand. Users in North America should select 60Hz mains frequency.

Required for the accurate timing of dialler test reports (if programmed). It has no effect on local or other dialler operations.

### PROGRAMMING SEQUENCE:

**P64E 5E** toggles the option ON and OFF

P64E 5E OFF: 60Hz mains frequency

P64E 5E ON: 50Hz mains frequency

## P64E 6E

### PROGRAM MODE LEVEL:

Installer, Remote by PC

### FACTORY DEFAULT:

ON: Double key Keypad Panic enabled

### NOTES:

- RELATED OPTIONS:
  - P62E 4E** Shortcut Keypad Panic
- The Ness LCD keypad has two buttons labelled \*

## DOUBLE KEY KEYPAD PANIC

This option allows the Keypad Panic alarm to be triggered by pressing both \* Panic buttons together.

NOTE: \* [User Code] E always triggers Keypad Panic

### PROGRAMMING SEQUENCE:

**P64E 6E** toggles the option ON and OFF

P64E 6E OFF: No double key Keypad Panic

P64E 6E ON: Double key Keypad Panic enabled

## P64E 7E

### PROGRAM MODE LEVEL:

Installer, Remote by PC

### FACTORY DEFAULT:

OFF: No Keypad Fire Alarm

### NOTES:

- RELATED OPTIONS:
  - P68E 6E** Fire Siren sound
  - P75E 4E** Report Fire Alarms

## KEYPAD FIRE ALARM

This option enables the Keypad Fire Alarm. Pressing 3 and then E triggers the siren using the "Fire Alarm" siren sound.

If P75E 4E is enabled, the fire alarm is reported by dialler to the central station.

### PROGRAMMING SEQUENCE:

**P64E 7E** toggles the option ON and OFF

P64E 7E OFF: No Keypad Fire Alarm

P64E 7E ON: Keypad Fire Alarm enabled

## P64E 8E

### PROGRAM MODE LEVEL:

Installer, Remote by PC

### FACTORY DEFAULT:

OFF: No Keypad Medical Alarm

### NOTES:

- RELATED OPTIONS:
  - P75E 2E** Report Medical Alarms

## KEYPAD MEDICAL ALARM

This option enables the Keypad Medical Alarm. Pressing 2 and then E activates the dialler and reports a Medical Alarm.

If P75E 2E must be enabled for the Medical alarm to be reported.

### PROGRAMMING SEQUENCE:

**P64E 8E** toggles the option ON and OFF

P64E 8E OFF: No Keypad Medical Alarm

P64E 8E ON: Keypad Medical Alarm enabled

# PROGRAMMING

OPTION No	DESCRIPTION	Zones							
		1	2	3	4	5	6	7	8
P65E	Supervised Radio zones								

ON = Factory default setting

## P65E

### PROGRAM MODE LEVEL:

Installer, Remote by PC

### FACTORY DEFAULT:

all OFF: No Radio Supervision zones

### NOTES:

- **0E** will turn all selections OFF  
**MEMORY E** will turn all selections ON
- RELATED OPTIONS:  
**P66E 1E–6E** Radio Supervision Alerts  
**P67E** Radio Supervision Time  
**P01E–P08E** Programming Radio Devices

## SUPERVISED RADIO ZONES

This option assigns zones that will operate as Radio Supervised types.

Supervised signals failure is reported (as per the P66E output options) when no signal is received from a Radio Supervision Zone for the Supervision Time P67E.

Radio Supervision for any zone is not enabled unless a Radio PIR is assigned to the zone, (P01E–P08E).

### PROGRAMMING SEQUENCE:

**P65E [Zone No]E** toggles the options ON and OFF

P65E [Zone No]E OFF: The zone is not a Supervised Radio zone

P65E [Zone No]E ON: The zone is a Supervised Radio zone

## P66E 1E–8E

## RADIO SUPERVISION ALERTS, SUPERVISION TIME SPEEDUP

See pages 32–33

## P67E

### PROGRAM MODE LEVEL:

Installer, Remote by PC

### FACTORY DEFAULT:

24hrs

### NOTES:

- A setting of less than 3 hours is not recommended.
- The Supervision timer is reset on exit from Installer Program Mode, on Arm or Disarm and on reception of the Supervision signal from the particular Radio PIR.
- The Supervision signal from each Supervised Radio PIR is individually timed.
- RELATED OPTIONS:  
**P65E** Radio Supervision Zones  
**P66E 1E–6E** Radio Supervision Alerts  
**P66E 7E–8E** Supervision Time Speed-up

See Page 56 for  
Radio Device programming

## SUPERVISION TIME

The SUPERVISION TIME is the time allowed between radio transmissions received by the D8 from any Supervised Ness Radio PIR (100–663).

The SUPERVISION TIME setting is from 01 to 24 hours.

### PROGRAMMING SEQUENCE:

**P67E existing time is displayed [ENTER NEW TIME] E new time is displayed**

**EXAMPLE:** To program SUPERVISION TIME to be 4 hours:

**P67E 04E**

## RADIO SUPERVISION

The purpose of Radio Supervision is to verify the correct operation of Ness Radio PIRs. The Supervision signal from the Radio PIR tells the panel that the device has not been removed from radio range and is in working order.

Non-SUPERVISION Radio PIRs can also be programmed and used with the D8 SUPERVISION TIMERS.

A non-SUPERVISION enabled Radio PIR will transmit signals to the D8 only when it has detected an event. Obviously, there is no guaranteed signal period.

In either case, when the allowed time limit is exceeded then a WARNING is first given (if programmed by P66E 3E), and then after 1 minute, the programmed RADIO SUPERVISION ALERTS are generated by the D8.

NOTE: Manually Excluding a Supervised Zone will also disable Radio Supervision for that zone.

# PROGRAMMING

Supervision RESET output  
 Supervision STROBE output  
 Supervision SONALERT output  
 Supervision SIREN output  
 Supervision AUX1 output  
 Supervision AUX2 output  
 Supervision speedup x6  
 Supervision speedup x10

OPTION No	DESCRIPTION	1E	2E	3E	4E	5E	6E	7E	8E
P66E	Radio Supervision Alerts								

ON = Factory default setting.

## P66E 1E

**PROGRAM MODE LEVEL:**  
 Installer, Remote by PC

**FACTORY DEFAULT:**  
 OFF: Supervision Reset output disabled

- NOTES:**
- RELATED OPTIONS:  
**P65E** Supervised Radio Zones

### RADIO SUPERVISION ALERTS – RESET OUTPUT

Setting this option turns the Reset output ON when a SUPERVISED RADIO alert occurs. The Reset output will remain ON for the duration of the ALARM TIME (Set by Option P29E).

**PROGRAMMING SEQUENCE:**

- P66E 1E** toggles the option ON and OFF
- P66E 1E OFF: Supervision Reset output disabled
- P66E 1E ON: Supervision Reset output enabled

## P66E 2E

**PROGRAM MODE LEVEL:**  
 Installer, Remote by PC

**FACTORY DEFAULT:**  
 OFF: Supervision Strobe output disabled

- NOTES:**
- RELATED OPTIONS:  
**P65E** Supervised Radio Zones

### RADIO SUPERVISION ALERTS – STROBE OUTPUT

Setting this option turns the Strobe output ON when a SUPERVISED RADIO alert occurs. The Strobe output will remain ON until the panel is disarmed.

**PROGRAMMING SEQUENCE:**

- P66E 2E** toggles the option ON and OFF
- P66E 2E OFF: Supervision Strobe output disabled
- P66E 2E ON: Supervision Strobe output enabled

## P66E 3E

**PROGRAM MODE LEVEL:**  
 Installer, Remote by PC

**FACTORY DEFAULT:**  
 OFF: Supervision Keypad Sonalert disabled

- NOTES:**
- When this option is turned ON, it delays the operation of all other selected Supervision outputs by one minute.
  - RELATED OPTIONS:  
**P65E** Supervised Radio Zones

### RADIO SUPERVISION ALERTS – KEYPAD SONALERT & DELAY ALL SUPERVISION OUTPUTS

Setting this option turns the Keypad Sonalert ON when a SUPERVISED RADIO alert occurs. The Keypad Sonalert remains ON until any keypad key is pressed.

Also, turning this option ON makes all Supervision outputs delayed by one minute.

**PROGRAMMING SEQUENCE:**

- P66E 3E** toggles the option ON and OFF
- P66E 3E OFF: Supervision Keypad Sonalert disabled AND all Supervision outputs trigger instantly
- P66E 3E ON: Supervision Keypad Sonalert enabled AND all Supervision outputs are delayed by 1 minute

# PROGRAMMING

## P66E 4E

**PROGRAM MODE LEVEL:**

Installer, Remote by PC

**FACTORY DEFAULT:**

OFF: Supervision Siren output disabled

**NOTES:**

- RELATED OPTIONS:  
**P65E** Supervised Radio Zones

## P66E 5E

**PROGRAM MODE LEVEL:**

Installer, Remote by PC

**FACTORY DEFAULT:**

OFF: Supervision AUX1 output disabled

**NOTES:**

- AUX1 output is Pin1 on the J3 header on the main board
- RELATED OPTIONS: **P65E**

## P66E 6E

**PROGRAM MODE LEVEL:**

Installer, Remote by PC

**FACTORY DEFAULT:**

OFF: Supervision AUX2 output disabled

**NOTES:**

- AUX2 output is Pin2 on the J3 header on the main board
- RELATED OPTIONS: **P65E**

## P66E 7E

**PROGRAM MODE LEVEL:**

Installer, Remote by PC

**FACTORY DEFAULT:**

OFF: Supervision Time normal

**NOTES:**

- RELATED OPTIONS:  
**P67E** Supervision Time  
**P66E 8E** Supervision Time speedup x10

## P66E 8E

**PROGRAM MODE LEVEL:**

Installer, Remote by PC

**FACTORY DEFAULT:**

OFF: Supervision Time normal

**NOTES:**

- RELATED OPTIONS:  
**P67E** Supervision Time  
**P66E 7E** Supervision Time speedup x6
- P66E 7E & 8E are normally only used for Supervision testing purposes

## RADIO SUPERVISION ALERTS – SIREN OUTPUT

Setting this option turns the Siren output ON when a SUPERVISED RADIO alert occurs. The Siren output will remain ON for the duration of the ALARM TIME (Set by Option P29E).

**PROGRAMMING SEQUENCE:**

**P66E 4E** toggles the option ON and OFF

P66E 4E OFF: Supervision Siren output disabled

P66E 4E ON: Supervision Siren output enabled

## RADIO SUPERVISION ALERTS – AUX1 OUTPUT

Setting this option turns the AUX1 output ON when a SUPERVISED RADIO alert occurs.

**PROGRAMMING SEQUENCE:**

**P66E 5E** toggles the option ON and OFF

P66E 5E OFF: Supervision AUX1 output disabled

P66E 5E ON: Supervision AUX1 output enabled

## RADIO SUPERVISION ALERTS – AUX2 OUTPUT

Setting this option turns the AUX2 output ON when a SUPERVISED RADIO alert occurs.

**PROGRAMMING SEQUENCE:**

**P66E 6E** toggles the option ON and OFF

P66E 6E OFF: Supervision AUX2 output disabled

P66E 6E ON: Supervision AUX2 output enabled

## SUPERVISION TIME SPEEDUP X6

Setting this option speeds up the Supervision Time by 6. For instance if P67E is set to 1 hour (60 minutes), then this option will reduce it to 10 minutes. (i.e., 60 divided by 6).

**PROGRAMMING SEQUENCE:**

**P66E 7E** toggles the option ON and OFF

P66E 7E OFF: Supervision Time normal as set by P67E

P66E 7E ON: Supervision Time speedup x6

## SUPERVISION TIME SPEEDUP X10

Setting this option speeds up the Supervision Time by 10. For instance if P67E is set to 1 hour (60 minutes), then this option will reduce it to 6 minutes. (i.e., 60 divided by 10).

**PROGRAMMING SEQUENCE:**

**P66E 8E** toggles the option ON and OFF

P66E 8E OFF: Supervision Time normal as set by P67E

P66E 8E ON: Supervision Time speedup x10

NOTE: If both P66E 7E and 8E are both ON then the Supervision time is sped up by 60. For instance if P67E is set to 1 hour (60 minutes), then this option will reduce it to 1 minute. (i.e., 60 divided by 60).

# PROGRAMMING

3K3 zone resistors  
 Radio Key Panic toggles AUX1  
 Radio Key Panic pulses AUX1  
 Radio Key Arming unsealed warning  
 24hr zone fire siren sound  
 4th button Radio Key for AUX1  
 Quiet chirps on Arm/Disarm

OPTION No	DESCRIPTION	1E	2E	3E	4E	5E	6E	7E	8E
P68E	Miscellaneous options								

ON = Factory default setting.

## P67E

SUPERVISION TIME, page 31

## P68E 2E

### 3K3 ZONE RESISTORS

**PROGRAM MODE LEVEL:**  
 Installer, Remote by PC

Setting this option ON changes the Zones 1 – 8 monitoring resistor from 2K2 to 3K3. (External Tamper input always uses a 2K2 resistor).

**FACTORY DEFAULT:**  
 OFF: No 3K3 zone resistors

#### PROGRAMMING SEQUENCE:

**P68E 2E** toggles the option ON and OFF

**NOTES:**

- The 3K3 zone resistor option is useful when installing the panel in a site pre-wired with 3K3 resistors
- If Zone 8 is converted to a keyswitch input then a 2K2 monitoring resistor is always used

P68E 2E OFF: 3K3 zone resistors disabled  
 P68E 2E ON: 3K3 zone resistors enabled

## P68E 3E, 4E, 7E

### RADIO KEY TRIGGERS AUX1

**PROGRAM MODE LEVEL:**  
 Installer, Remote by PC

**P68E 3E & 4E** change the action of the Radio Key Panic button. If either option is ON, RK3 or RK4 Radio Key Panic will Toggle or Pulse the Aux1 output as per the table below.

**FACTORY DEFAULT:**  
 P68E 3E & 4E OFF: Radio Keys do not trigger Aux1  
 P68E 7E OFF: Radio Key AUX button does not trigger Aux1

Toggle Mode: Each press on Panic toggles the state of Aux1 (on/off).  
 Pulse Mode: Each press on Panic pulses Aux1, (momentary on for 2.5 sec).

**NOTES:**

- This option is useful for triggering external devices using Radio Key's Panic button. E.g., lighting, garage doors
- Warning! The Radio Key Panic function is disabled when the Panic button is set to trigger Aux1.

**P68E 7E.** If RK4 Radio keys are used, P68E 7E enables the RK4 AUX button instead of the Panic button to trigger the Aux1 output. The Panic button then reverts to its normal Panic function.

P68E 7E off: Panic button triggers Aux1 (P68E 3E or 4E must be on).  
 P68E 7E on: AUX button triggers Aux1 (P68E 3E or 4E must be on).

#### PROGRAMMING SEQUENCE:

**P68E 3E or 4E or 7E** toggles each option ON and OFF

Table: RADIO KEY TO AUX1

		P68E			
	3E	4E	7E		
	OFF	OFF	(ON or OFF)		AUX1 disabled for use by PANIC or AUX buttons
	ON	OFF	OFF		Radio Key PANIC button Toggles AUX1
	OFF	ON	OFF		Radio Key PANIC button Pulses AUX1
	ON	ON	OFF		Radio Key PANIC button Pulses AUX1
	ON	OFF	ON		Radio Key AUX button Toggles AUX1
	OFF	ON	ON		Radio Key AUX button Pulses AUX1
	ON	ON	ON		Radio Key AUX button Pulses AUX1

Note: Aux1 can be disabled for use by a Radio Key, but other panel options can be programmed to trigger the output.



# PROGRAMMING

## P68E 5E

**PROGRAM MODE LEVEL:**

Installer, Remote by PC

**FACTORY DEFAULT:**

OFF: Radio Key siren warning disabled

**NOTES:**

- 

## P68E 6E

**PROGRAM MODE LEVEL:**

Installer, Remote by PC

**FACTORY DEFAULT:**

OFF: No 24hr Fire siren sound

**NOTES:**

- The keypad key sequence for FIRE (3 E) always outputs the FIRE siren sound

## P68E 7E

## P68E 8E

**PROGRAM MODE LEVEL:**

Installer, Remote by PC

**FACTORY DEFAULT:**

OFF: Quiet Chirps disabled

**NOTES:**

- RELATED OPTIONS:  
P64E 4E Arm/Disarm Chirps

## RADIO KEY ARMING, UNSEALED ZONE WARNING

Setting this option ON allows a 2 second SIREN warning if there is an unsealed zone in an Area Armed by a Radio Key.

**PROGRAMMING SEQUENCE:**

**P68E 5E** toggles the option ON and OFF

P68E 5E OFF: Radio Key arming, siren warning disabled

P68E 5E ON: Radio Key arming, siren warning enabled

## 24HR ZONE FIRE SIREN SOUND

This option changes the siren sound when a 24hr zone is triggered.

**PROGRAMMING SEQUENCE:**

**P68E 6E** toggles the option ON and OFF

P68E 6E OFF: Fire siren sound disabled

P68E 6E ON: Fire siren sound enabled

See page 34

## QUIET CHIRPS ON ARM/DISARM

This quietens the siren chirps that are made whenever keyswitch or radio key Arming or Disarming is used.

(Arm/Disarm Chirps must be enabled at P64E 4E).

**PROGRAMMING SEQUENCE:**

**P68E 8E** toggles the option ON and OFF

P68E 8E OFF: Quiet Chirps disabled

P68E 8E ON: Quiet Chirps enabled

# PROGRAMMING

ARM1 pulse output  
 ARM2 pulse output  
 Quiet Monitor siren  
 6 beeps on Arming  
 Radio Key Monitor Arming  
 Disable Mains Fail alarm  
 Aux2 toggle  
 Aux2 pulse

OPTION No	DESCRIPTION	1E	2E	3E	4E	5E	6E	7E	8E
<b>P69E</b>	Miscellaneous options 2								

ON = Factory default setting.

## P69E 1E

**PROGRAM MODE LEVEL:**  
 Installer, Remote by PC

**FACTORY DEFAULT:**  
 OFF: ARM1 output toggles

**NOTES:**

- This is useful as a Smoke Detector reset output with an optional external relay.
- RELATED OPTIONS:  
**P60E 8E** Delay ARM1/ARM2 outputs

## ARM1 PULSE OUTPUT

This option selects the ARM1 output to pulse on for 2 seconds whenever arming or disarming of Area1. (The ARM1 output normally toggles when arming/disarming).

Note also that when Arming with the P60E 8E option selected that the pulse will occur at the end of Exit Time.

**PROGRAMMING SEQUENCE:**

**P69E 1E** toggles the option ON and OFF

P69E 1E OFF: ARM1 output toggles  
 P69E 1E ON: ARM1 output pulses

## P69E 2E

**PROGRAM MODE LEVEL:**  
 Installer, Remote by PC

**FACTORY DEFAULT:**  
 OFF: ARM2 output toggles

**NOTES:**

- This is useful as a Smoke Detector reset output with an optional external relay.
- RELATED OPTIONS:  
**P60E 8E** Delay ARM1/ARM2 outputs

## ARM2 PULSE OUTPUT

This option selects the ARM2 output to pulse on for 2 seconds whenever Arming or Disarming of Area2.

(The ARM2 output normally toggles when arming/disarming).

Note also that when arming with the P60E 8E option selected that the pulse will occur at the end of Exit Time.

**PROGRAMMING SEQUENCE:**

**P69E 2E** toggles the option ON and OFF

P69E 2E OFF: ARM2 output toggles  
 P69E 2E ON: ARM2 output pulses

## P69E 3E

**PROGRAM MODE LEVEL:**  
 Installer, Remote by PC

**FACTORY DEFAULT:**  
 OFF: Normal siren sound in Monitor Mode

**NOTES:**

- This does not affect the RESET output

## QUIET MONITOR SIREN

This option selects the 'Quiet Siren' sound in Monitor Mode. The Quiet Siren sound is a continuous "beep beep beep" sound rather than the normal siren sound.

**PROGRAMMING SEQUENCE:**

**P69E 3E** toggles the option ON and OFF

P69E 3E OFF: Normal siren sound in Monitor Mode  
 P69E 3E ON: Quiet Siren sound in Monitor Mode

## P69E 4E

**PROGRAM MODE LEVEL:**  
 Installer, Remote by PC

**FACTORY DEFAULT:**  
 OFF: Keypad gives 3 beeps on Arming

**NOTES:**

- The keypad beeps on Arm/Disarm when Arming/Disarming by keypad, keyswitch or by Radio Key

## 6 BEEPS ON ARMING

Normally the keypad/s onboard SONALERT gives 3 beeps when the D16 is Armed. Turning this option ON will give 6 keypad beeps when Arming.

**PROGRAMMING SEQUENCE:**

**P69E 4E** toggles the option ON and OFF

P69E 4E OFF: Keypad gives 3 beeps on Arming  
 P69E 4E ON: Keypad gives 6 beeps on Arming



# PROGRAMMING

## P69E 5E

**PROGRAM MODE LEVEL:**

Installer, Remote by PC

**FACTORY DEFAULT:**

OFF: Radio Keys cannot Arm Monitor Mode

**NOTES:**

- Radio Key Monitor Arming will work only if one or more zones have been programmed as Monitor Zones (P51E).
- When using a Radio Keypad to Monitor arm, ensure that the ARM ONLY option is OFF for the USER CODE on the panel. Otherwise further MONITOR E keypresses on the Radio keypad could AREA arm the panel.

## P69E 6E

**PROGRAM MODE LEVEL:**

Installer, Remote by PC

**FACTORY DEFAULT:**

OFF: Mains Fail alarm normal

**NOTES:**

This does not affect Dialler mains fail reporting or saving to the History memory or operation of the Mains Fail output on the Output Expander.

## P69E 7E

## P69E 8E

**PROGRAM MODE LEVEL:**

Installer, Remote by PC

**FACTORY DEFAULT:**

7E & 8E OFF

**NOTES:**

See page 9 for further notes on the use of the AUX outputs.

Also see P68E 3E, 4E, 7E (Radio Keys to Aux1 output)



## RADIO KEY MONITOR ARMING

Setting this option on allows MONITOR Mode arming by Radio Key.

**PROGRAMMING SEQUENCE:**

**P69E 5E** toggles the option ON and OFF

P69E 5E OFF: Radio Key Monitor Mode Arming disabled

P69E 5E ON: Radio Key Monitor Mode Arming enabled

**OPERATION:**

**Panel version 4** - Press the Radio Key OFF button twice within 4 seconds.

**Panel version 4.5 and later** - Press the Radio Key OFF button twice within 4 seconds.  
or... - Press the Radio Key ON button twice within 5 seconds.

## DISABLE MAINS FAIL ALARM

When set ON, a Mains Fail alarm is: 1. Not displayed on the keypad, 2. Does not give warning beeps, 3. Is not saved to MEMORY and the MEMORY display does not flash.

**PROGRAMMING SEQUENCE:**

**P69E 6E** toggles the option ON and OFF

P69E 6E OFF: Mains Fail alarm operates normally

P69E 6E ON: Mains Fail alarm is disabled

## RK4 RADIO KEY TOGGLES AUX2 OUTPUT

## RK4 RADIO KEY PULSES AUX2 OUTPUT

These two options select the RK4 radio key AUX button to the AUX2 output.

**PROGRAMMING SEQUENCE:**

**P69E 7E & 8E** toggles the option ON and OFF

P69E 7E when selected on, toggles the panel's AUX 2 output when the AUX button is pressed on the Ness RK4 Radio Key.

P69E 8E when selected on, pulses the panel's AUX 2 output when the AUX button is pressed on the Ness RK4 Radio Key.

**Table: RADIO KEY TO AUX2**

	P69E	
	7E	8E
AUX2 disabled	ON	ON
AUX Toggles AUX2	ON	OFF
AUX Pulses AUX2	OFF	ON
AUX2 disabled	OFF	OFF

Note 1: If both 7E & 8E are on, then the output is disabled.

Note 2: AUX2 can be disabled for use by a radio key, but other panel options can be programmed to trigger the output.

# PROGRAMMING

OPTION No	DESCRIPTION	FACTORY DEFAULT
P70E	Telephone Number 1 - Primary	none
P71E	Telephone Number 2 - Secondary	none
P80E	Telephone Number 3 - Test Calls	none
P81E	Telephone Number 4 - Callback for Up/download	none
P00E	Follow Me Telephone Number - For Audible Dialling	none

OPTION No	DESCRIPTION	FACTORY DEFAULT
P72E	Account Number 1	0000
P73E	Account Number 2	0000

## P70E, P71E

**PROGRAM MODE LEVEL:**  
Installer, Remote by PC

**FACTORY DEFAULT:**  
No telephone numbers

**NOTES:**

- If telephone number 2 is disabled, all calls are made on telephone number 1 and the setting of P87E 1E has no effect.
- If telephone number 3 is disabled, all test calls are made on telephone number 1&2
- Any keypress will stop the telephone number display sequence
- RELATED OPTIONS:  
**P87E 1E** Alternate Primary/Secondary telephone numbers  
**P86E 1E** Disable dialler (still allows remote up/download if programmed)

## TELEPHONE NUMBERS 1 & 2

The D8 can dial up to 2 phone numbers when an event is to be transmitted to a remote location. Telephone numbers may be up to 15 digits long.

**PROGRAMMING SEQUENCE:**

**P70E** existing telephone number is displayed  
**[ENTER NEW TELEPHONE No] E** new telephone number is displayed

**EXAMPLE:** To program Telephone No.1 to be 03 1234 1234:  
**P70E0312341234E**

## SPECIAL FUNCTIONS FOR ALL TELEPHONE NUMBERS

### TO CLEAR A TELEPHONE NUMBER

To clear a telephone number, enter the MEMORY key in place of the telephone number. Example, to clear a Telephone Number 1 press: P70E MEMORY E

### SPECIAL CHARACTERS (Applies to all telephone Numbers)

Pauses, \* (star) or # (hash) (VF digits) can be included in the dialling sequence by using the keys in the table below.

SPECIAL CHARACTER	KEY ENTRY	DISPLAYED ON LCD DISPLAY
PAUSE (1.6sec)	ARM Key	12
* (Star)	MONITOR Key	10
# (Hash)	EXCLUDE Key	11

## P72E, P73E

**PROGRAM MODE LEVEL:**  
Installer, Remote by PC

**FACTORY DEFAULT:**  
P72E Account No.1: 0000  
P73E Account No.2: 0000

**NOTES:**

- RELATED OPTIONS:  
**P79E** Account No.2 zones

Also see page 39, Hex Client Codes

## ACCOUNT NUMBER 1 & 2

Account numbers for identifying the panel to the Central Station. Area 1 Open/Close reports will report on Account No.1 and Area 2 Open/Close reports will report on Account No.2.

Zone Alarms can be assigned to report on either Account Number as set by Option P79E.

All miscellaneous events (eg. Tamper, Mains Fail) will report on Account No. 1.

**PROGRAMMING SEQUENCE:**

**P72E** (or P73E) existing account number is displayed  
**[ENTER NEW ACCOUNT No] E** new account number is displayed

**EXAMPLE:** To program Account No.1 to be 1239:  
**P72E1239E**

# PROGRAMMING

## HEX CLIENT CODE NOTES:

Note 1: If using the Ness LED keypad for programming, the Hex digits will not be displayed but are still programmed.

Note 2: Hex digit A is not allowed.

Note 3: Entering Hex digits by keypad applies to D16 V4.6 and later. Previous D16 versions by using NessComms Up/download software V4.62 or later.

## HEX CLIENT CODES

Dialler client codes can now be entered in Hexadecimal. Use the following keys to enter the hex digits B, C, D, E or F.

<u>HEX DIGIT</u>	<u>KEY ENTRY</u>	<u>DISPLAYED ON LCD DISPLAY</u>
B	* Key	11
C	ARM Key	12
D	MONITOR Key	13
E	EXCLUDE Key	14
F	MEMORY key	15

## P80E

### PROGRAM MODE LEVEL:

Installer, Remote by PC

### FACTORY DEFAULT:

No telephone numbers

### NOTES:

- RELATED OPTIONS:
  - P89E 1E** Enable test calls
  - P83E** Test call interval
  - P84E** Test call start delay

## P81E

### PROGRAM MODE LEVEL:

Installer, Remote by PC

### FACTORY DEFAULT:

No telephone numbers

### NOTES:

- RELATED OPTIONS:
  - P90E 8E** Enable Callback

## P00E

### PROGRAM MODE LEVEL:

User, Installer, Remote by PC

### FACTORY DEFAULT:

No telephone numbers

### NOTES:

- If the Follow Me telephone number is disabled, all audible format calls are made on telephone numbers 1 & 2.
- RELATED OPTIONS:
  - P86E 3E** Audible DTMF format
  - P86E 4E** Audible Pulse format
  - P86E 5E** Contact ID + Audible DTMF
  - P86E 6E** Contact ID + Audible Pulse

## TELEPHONE NUMBER 3 - TEST CALLS

Phone Number 3 is used to send Test Calls. If it is not programmed then Test Calls are sent using Telephone No 1 & 2.

### PROGRAMMING SEQUENCE:

**P80E** existing telephone number is displayed  
**[ENTER NEW TELEPHONE No] E** new telephone number is displayed

**EXAMPLE:** To program Telephone No.3 to be 03 2468 1234:  
**P80E0324681234E**

## TELEPHONE NUMBER 4 - CALLBACK

Phone Number 4 is used for upload/download.

Prevents unauthorised up/download - the panel will dial the callback telephone number to commence an up/download session.

Up/download without callback is allowed by turning off option P90E 8E.

### PROGRAMMING SEQUENCE:

**P81E** existing telephone number is displayed  
**[ENTER NEW TELEPHONE No] E** new Telephone No.4 is displayed

## FOLLOW ME TELEPHONE NUMBER

The Follow Me telephone number is only used in Audible Dialling mode. (If P86E 3E, 4E, 5E or 6E are on).

The Follow Me telephone number can be programmed in User Program Mode. If the Follow Me number is programmed, then the primary & secondary numbers are ignored.

### IF P86E 3E or 4E ARE ENABLED (AUDIBLE MONITORING)

If the Follow Me number is programmed, the primary & secondary numbers are ignored.

### IF P86E 5E or 6E ARE ENABLED (CONTACT ID + AUDIBLE)

The telephone numbers programmed at P70E & P71E will be used to send the message to the central station. The message is also repeated in audible format to the telephone number (if any) programmed at P00E.

### PROGRAMMING SEQUENCE:

**P00E** existing telephone number is displayed  
**[ENTER NEW TELEPHONE No] E** new telephone number is displayed

# PROGRAMMING

OPTION No	DESCRIPTION	Zones							
		1	2	3	4	5	6	7	8
P74E	Report zone alarms	ON	ON	ON	ON	ON	ON	ON	ON
P76E	Report zone restorals	ON	ON	ON	ON	ON	ON	ON	ON
P78E	Multiple zone alarms								
P79E	Account No.2 zones								

ON = Factory default setting

## P74E

**PROGRAM MODE LEVEL:**  
Installer, Remote by PC

**FACTORY DEFAULT:**  
All zones report Alarms

- NOTES:**
- **0E** will turn all selections OFF  
**MEMORY E** will turn all selections ON

## P76E

**PROGRAM MODE LEVEL:**  
Installer, Remote by PC

**FACTORY DEFAULT:**  
All zones report Restorals

- NOTES:**
- **0E** will turn all selections OFF  
**MEMORY E** will turn all selections ON
  - RELATED OPTIONS:  
**P82E 1E** Send Restoral immediately  
**P82E 2E** Send Restoral after siren time  
**P82E 3E** Send Restoral on Disarm & seal  
**P82E 4E** Send Restoral on Disarm always

## P78E

**PROGRAM MODE LEVEL:**  
Installer, Remote by PC

**FACTORY DEFAULT:**  
No zones report Multiple Alarms

- NOTES:**
- Only zones that have previously sent an Alarm will send a Restoral
  - **0E** will turn all selections OFF  
**MEMORY E** will turn all selections ON
  - RELATED OPTIONS:  
**P89E 4E** Swinger shutdown

## P79E

**PROGRAM MODE LEVEL:**  
Installer, Remote by PC

**FACTORY DEFAULT:**  
All zones report Restorals

**NOTES:**

## REPORT ZONE ALARMS

This option selects which zone inputs will send Alarm reports to the Central Station.

**PROGRAMMING SEQUENCE:**

**P74E [Zone No]E** toggles the option ON and OFF

P74E 1E–8E OFF: Alarm reporting disabled for that zone

P74E 1E–8E ON: Alarm reporting enabled for that zone

## REPORT ZONE RESTORALS

This option selects which zone inputs will send Restoral reports to the Central Station. Only zones that have previously sent an Alarm will send a Restoral.

**PROGRAMMING SEQUENCE:**

**P76E [Zone No]E** toggles the option ON and OFF

P76E 1E–8E OFF: Restoral reporting disabled for that zone

P76E 1E–8E ON: Restoral reporting enabled for that zone

## REPORT MULTIPLE ZONE ALARMS

Zones selected for Multiple Zone Alarms will report each time the zone alarms and without a restore being sent. The number of reports is a maximum of 15. The number of alarms sent for each Multiple Zone Alarm can be reduced to 3 by using the swinger shutdown option P89E 4E.

Zones not selected report only once, until reset by an opening or a valid code.

**PROGRAMMING SEQUENCE:**

**P78E [Zone No]E** toggles the option ON and OFF

P78E 1E–8E OFF: Multiple Zone Alarms disabled for that zone

P78E 1E–8E ON: Multiple Zone Alarms enabled for that zone

## ACCOUNT NO.2 ZONES

Zones selected to be Account No.2 zones will report their Alarms, Restorals and Excludes on Client code 2.

**PROGRAMMING SEQUENCE:**

**P79E [Zone No]E** toggles the option ON and OFF

P79E 1E–8E OFF: Multiple Zone Alarms disabled for that zone

P79E 1E–8E ON: Multiple Zone Alarms enabled for that zone

# PROGRAMMING

OPTION No	DESCRIPTION	1E Duress	2E Medical	3E K/P & K/S Panic	4E Fire	5E Panel Tamper	6E External Tamper	7E Keypad Tamper	8E Exit Install mode
P75E	Report Misc. Alarms 1~8			ON		ON	ON	ON	
P77E	Report Misc. Restorals 1~8	ON	ON	ON	ON	ON	ON	ON	ON

ON = Factory default setting.

OPTION No	DESCRIPTION	1E Radio Tamper	2E Radio Panic	3E Radio Battery	4E Supervision Fail	5E Panel Battery	6E Mains Fail	7E	8E
P92E	Report Misc. Alarms 9~14	ON	ON			ON	ON		
P93E	Report Misc. Restorals 9~14	ON	ON	ON	ON	ON	ON	ON	ON

## P75E, P92E

### REPORT MISCELLANEOUS ALARMS

#### PROGRAM MODE LEVEL:

Installer, Remote by PC

#### FACTORY DEFAULT:

see table

#### NOTES:

- **0E** will turn all selections OFF
- **MEMORY E** will turn all selections ON

## P77E, P93E

### REPORT MISCELLANEOUS RESTORALS

#### PROGRAM MODE LEVEL:

Installer, Remote by PC

#### FACTORY DEFAULT:

see table

#### NOTES:

- Mains Fail and Low Battery Restorals are sent when the power has been restored
- **0E** will turn all selections OFF
- **MEMORY E** will turn all selections ON

## REPORT MISCELLANEOUS ALARMS REPORT MISCELLANEOUS RESTORALS

These options select which Miscellaneous alarms will trigger the dialler to send Alarm reports and Restoral reports to the Central Station.

Alarms (if enabled) are sent on activation. Restorals (if enabled) are sent on Opening. Mains Fail and Low Battery Restorals are sent when the power has been restored.

#### PROGRAMMING SEQUENCE:

##### PxxE 1E-8E

*toggles the option ON and OFF*

#### MISCELLANEOUS ALARMS:

ALARM P75E	1E	1. Duress
	2E	2. Medical
	3E	3. Keypad & K/Switch Panic
	4E	4. Fire
RESTORAL P77E	5E	5. Panel Tamper
	6E	6. External Tamper
	7E	7. Keypad Tamper
	8E	8. Exit Install Mode
ALARM P92E	1E	9. Radio Tamper
	2E	10. Radio Panic (by User)
	3E	11. Radio Low Battery (by Device)
	4E	12. Supervision Fail
RESTORAL P93E	5E	13. Panel Low Battery
	6E	14. Mains Fail

*Restoral immediately*  
*Restoral after siren time*  
*Restoral on Disarm & seal*  
*Restoral on Disarm always*

OPTION No	DESCRIPTION	1E	2E	3E	4E	5E	6E	7E	8E
P82E	Zone Restoral reporting options				ON				

ON = Factory default setting.

## P82E 1E-4E

#### PROGRAM MODE LEVEL:

Installer, Remote by PC

#### FACTORY DEFAULT:

4E, ON: Always send Restoral on Disarm

#### NOTES:

- **RELATED OPTIONS:**
- **P76E** Report zone restorals

## RESTORAL REPORTING OPTIONS

This option selects when the dialler sends zone Restoral reports. Only one of the following options may be selected.

Restoral reporting options also apply to 24hr zones.

#### PROGRAMMING SEQUENCE:

##### P82E 1E-4E toggles the option ON and OFF

P82E 1E: Send Restoral immediately

P82E 2E: Send Restoral after siren time

P82E 3E: Send Restoral on Disarm & seal

P82E 4E: Send Restoral on Disarm always

# PROGRAMMING

OPTION No	DESCRIPTION	DEFAULT	NOTE
<b>P83E</b>	Test Call Interval	84	x2 = 168hrs (7 days)
<b>P84E</b>	Time Before Next Test Call	6	x2 = 12hrs

## P83E

**PROGRAM MODE LEVEL:**

Installer, Remote by PC

**FACTORY DEFAULT:**

84 (=168hrs =7 days)

**NOTES:**

- Enter a value from 1 to 99
- RELATED OPTIONS:  
**P89E 1E** Enable Test Calls  
**P84E** Time Before Next Test Call

### TEST CALL INTERVAL

Test calls to the Central Station can be sent at intervals between 2 and 198 hours in 2 hour increments.

Programmable from 2 to 198 Hours. Enter a value between 1 and 99. (This is automatically multiplied by 2).

Test Calls must be enabled by option P89E 1E.

**PROGRAMMING SEQUENCE:**

**P83E** existing Test Call Interval time is displayed  
**[ENTER NEW TIME] E** new Test Call Interval time is displayed

**EXAMPLE:** To program daily test calls:  
**P83E12E**

## P84E

**PROGRAM MODE LEVEL:**

Installer, Remote by PC

**FACTORY DEFAULT:**

6 (=12hrs)

**NOTES:**

- Enter a value from 1 to 99
- If Test Calls are to start immediately, then the value is set to 0.
- The Time Before Next Test Call is constantly updated. When viewed, the current value will be displayed (not the initially entered value).
- RELATED OPTIONS:  
**P89E 1E** Enable Test Calls  
**P83E** Test Call interval

### TIME BEFORE NEXT TEST CALL

This option sets the time before the next Test Call and is used to set the preferred time for Test Calls. Programmable from 2 to 198 Hours. Enter a value between 1 and 99. (This is automatically multiplied by 2).

**EXAMPLES:**

**A/ New Installation:** Set the time before the first test call.  
 E.g., If you are programming the panel at 5pm and you want test calls to be sent at 1am. Enter P84E 4E (4 x 2 =8hrs. Therefore 5pm + 8hrs = 1am).

**B/ Existing Installation:** To reset the time that test calls are sent.  
 E.g., Our example panel is sending test calls at 1am and you want to change it to 2am. If you are programming the panel at 6pm, enter P84E 4E (4 x 2 =8hrs. Therefore 6pm + 8hrs =2am).

**PROGRAMMING SEQUENCE:**

**P84E** existing Time Before Next Test Call is displayed **(See note 3)**  
**[ENTER NEW TIME] E** new Time Before Next Test Call is displayed

Auto dialling method  
 PULSE Dialling always  
 DTMF dialling always

OPTION No	DESCRIPTION	1E	2E	3E	4E	5E	6E	7E	8E
<b>P85E</b>	Dialling Method	ON							

ON = Factory default setting.

## P85E 1E-3E

**PROGRAM MODE LEVEL:**

Installer, Remote by PC

**FACTORY DEFAULT:**

1E, ON: Auto Dialling Method

**NOTES:**

- Only one option is allowed to be ON

### DIALLING METHOD

The dial format is determined by the detected Dial Tone. By default, if no dial tone is detected after looping the line then the dialler will attempt to dial regardless alternating between PULSE (Decadic) first and then DTMF dialling.

**PROGRAMMING SEQUENCE:**

**P85E 1E-3E** turns the option ON  
 P85E 1E: Auto Dialling (PULSE or DTMF)  
 P85E 2E: Pulse Dialling always  
 P85E 3E: DTMF Dialling always

# PROGRAMMING

Disable dialler  
 Contact ID format  
 Audible DTMF format  
 Audible PULSE format  
 Contact ID + Audible DTMF  
 Contact ID + Audible PULSE

OPTION No	DESCRIPTION	1E	2E	3E	4E	5E	6E	7E	8E
P86E	Reporting Formats		ON						

ON = Factory default setting.

## P86E 1E

**PROGRAM MODE LEVEL:**  
 Installer, Remote by PC

**FACTORY DEFAULT:**  
 Off: dialler enabled

- NOTES:**
- This option is useful for temporary disabling of the dialler without affecting other dialler options.
  - Only one option in the range P86E 1E–6E is allowed to be ON

## DISABLE DIALLER

This option disables the dialler even if telephone numbers and other dialler options are programmed.

Up/download or remote telephone access remain enabled.

### PROGRAMMING SEQUENCE:

**P86E 1E** turns the option ON

P86E 1E ON: Dialler disabled

## P86E 2E

**PROGRAM MODE LEVEL:**  
 Installer, Remote by PC

**FACTORY DEFAULT:**  
 ON: Contact ID format enabled

- NOTES:**
- Only one option in the range P86E 1E–6E is allowed to be ON

## CONTACT ID FORMAT

This option enables the reporting of alarms to a Central station via telephone numbers 1 & 2 using Contact ID format.

### PROGRAMMING SEQUENCE:

**P86E 2E** turns the option ON

P86E 2E ON: Contact ID format enabled

## P86E 3E

**PROGRAM MODE LEVEL:**  
 Installer, Remote by PC

**FACTORY DEFAULT:**  
 OFF

- NOTES:**
- Only one option in the range P86E 1E–6E is allowed to be ON

## AUDIBLE DTMF FORMAT

For Audible Monitoring to any telephone or mobile phone. The last digit of the Account number and the zone alarm are sent in Audible DTMF format.

The message is repeated for 45 seconds or until kissed-off by the receiving telephone.

### PROGRAMMING SEQUENCE:

**P86E 3E** turns the option ON

P86E 3E ON: Audible DTMF format enabled

## P86E 4E

**PROGRAM MODE LEVEL:**  
 Installer, Remote by PC

**FACTORY DEFAULT:**  
 OFF

- NOTES:**
- Only one option in the range P86E 1E–6E is allowed to be ON
  - This is the best option to select for Audible Monitoring.

## AUDIBLE PULSE FORMAT

For Audible Monitoring to any telephone or mobile phone. The last digit of the Account number and the zone alarm are sent in Audible PULSE format.

The message is repeated for 45 seconds or until kissed-off by the receiving telephone.

### PROGRAMMING SEQUENCE:

**P86E 4E** turns the option ON

P86E 4E ON: Audible PULSE format enabled



# PROGRAMMING

## P86E 5E

**PROGRAM MODE LEVEL:**

Installer, Remote by PC

**FACTORY DEFAULT:**

OFF

**NOTES:**

- Only one option in the range  
P86E 1E–6E is allowed to be ON

## P86E 6E

**PROGRAM MODE LEVEL:**

Installer, Remote by PC

**FACTORY DEFAULT:**

OFF

**NOTES:**

- Only one option in the range  
P86E 1E–6E is allowed to be ON

### CONTACT ID + AUDIBLE DTMF FORMAT

For simultaneous Central Station and Audible Monitoring.

The alarm message will be sent to the Central Station on the Primary telephone number and then in audible DTMF format to the Follow Me telephone number.

**PROGRAMMING SEQUENCE:**

**P86E 5E** turns the option ON

P86E 5E ON: Contact ID + Audible DTMF format enabled

### CONTACT ID + AUDIBLE PULSE FORMAT

For simultaneous Central Station and Audible Monitoring.

The alarm message will be sent to the Central Station on the Primary telephone number and then in audible PULSE format to the Follow Me telephone number.

**PROGRAMMING SEQUENCE:**

**P86E 6E** turns the option ON

P86E 6E ON: Contact ID + Audible PULSE format enabled

The D8 reports alarms to the Central Station using Contact ID dialler format.

The message format is fixed as shown in the Contact ID Codes Table.

**THE MESSAGE TAKES THE FORM OF:**

<b>SSSS</b>	Account Number
<b>Q</b>	Event qualifier 1=New Event or Open 3=Restore or Close
<b>XYZ</b>	Alarm type
<b>GG</b>	Group or Area designation
<b>CCC</b>	Alarm number dd=User ID (1 to 15) zz=Zone ID (1 to 8) aa=01 Area 1 aa=02 Area 2 aa=01 Monitor area aa=00 24 Hr Area
<b>K</b>	Checksum (0 to Of hex)

### CONTACT ID CODES TABLE

REPORT NAME	SSSS	Q	XYZ	GG	CCC	SUFFIX
Zone 1– Zone 8 Alarm	ssss 18	q	<b>130</b>	aa	001–008	k
Duress	ssss 18	1	<b>121</b>	01	030	k
Keyswitch Panic	ssss 18	1	<b>120</b>	01	031	k
Keypad Panic	ssss 18	1	<b>120</b>	01	032	k
Radio Key Panic	ssss 18	1	<b>120</b>	01	1dd	k
Medical Alarm	ssss 18	1	<b>100</b>	01	033	k
Fire	ssss 18	1	<b>110</b>	01	034	k
Exit Install mode	ssss 18	1	<b>306</b>	01	035	k
External Tamper	ssss 18	q	<b>137</b>	01	040	k
Internal Tamper	ssss 18	q	<b>137</b>	01	041	k
Keypad Tamper	ssss 18	q	<b>137</b>	01	042	k
Radio Sensor Supervision	ssss 18	q	<b>381</b>	01	4zz	k
Radio Sensor Tamper	ssss 18	q	<b>383</b>	01	2zz	k
Radio Sensor Low Battery	ssss 18	q	<b>384</b>	01	3zz	k
Mains Fail	ssss 18	q	<b>301</b>	01	050	k
Panel Battery Fail	ssss 18	q	<b>309</b>	01	051	k
Open	ssss 18	1	<b>402</b>	aa	0dd	k
Force Open (Cancel)	ssss 18	1	<b>406</b>	aa	0dd	k
Close	ssss 18	3	<b>402</b>	aa	0dd	k
Test Report	ssss 18	1	<b>602</b>	01	063	k
Zone 1-8 Manual Exclude	ssss 18	q	<b>573</b>	aa	001-008	k
Zone 1-8 Auto Exclude	ssss 18	q	<b>380</b>	aa	001-008	k

# PROGRAMMING

OPTION No	DESCRIPTION	1E	2E	3E	4E	5E	6E	7E	8E
P87E	Miscellaneous Dialling Options		ON		ON				

Split dial Phone Nos.  
Check for dial tone  
4 dialling attempts

ON = Factory default setting.

## P87E 1E

**PROGRAM MODE LEVEL:**

Installer, Remote by PC

**FACTORY DEFAULT:**

OFF: Alternate Dial

**NOTES:**

**RELATED OPTIONS:**

P87E 4E Number of Dialling attempts

## SPLIT DIAL PRIMARY/SECONDARY PHONE NUMBERS

This option selects the order in which Telephone numbers 1 & 2 are dialled.

**PROGRAMMING SEQUENCE:**

P87E 1E toggles the option ON and OFF

P87E 1E OFF: **Alternate Dial**

Dial Telephone No.1 on the first attempt. If no answer, dial Telephone No.2.

Continue alternating until successful.

P87E 1E ON: **Split Dial**

Dial Telephone No.1 for half of the call attempts. If unsuccessful, dial Telephone No.2 for the last half of call attempts.

## P87E 2E

**PROGRAM MODE LEVEL:**

Installer, Remote by PC

**FACTORY DEFAULT:**

ON: Dial only with dial tone

**NOTES:**

## CHECK FOR DIAL TONE

The dialler normally dials only if a dial tone is detected. The dialler can be forced to dial without a dial tone. Allows use on PABXs with non-standard dial tones.

**PROGRAMMING SEQUENCE:**

P87E 2E toggles the option ON and OFF

P87E 2E OFF: Dial without dial tone

P87E 2E ON: Dial only with dial tone

## P87E 4E

**PROGRAM MODE LEVEL:**

Installer, Remote by PC

**FACTORY DEFAULT:**

ON: 4 dialling attempts

**NOTES:**

- Sets the total number of dialling attempts. E.g. If 4 dialling attempts is selected, this means 2 attempts per telephone number.

**RELATED OPTIONS:**

P87E 1E Alternate dialling

## NUMBER OF DIALLING ATTEMPTS

Sets the number of dialling attempts when sending reports.

OFF: sets a maximum 10 dial attempts before a 5 minute sleep and 10 more retries if unsuccessful.

ON: allows a maximum of 4 dial attempts before a 5 minute sleep and 4 more retries if unsuccessful.

If all attempts fail the dialler waits for the next trigger event. The previously unsuccessful report will be included in the new message.

When sending Test Calls, the time between dialling attempts increases to 60 minutes for the second round of dialling. If a Test Call is unsuccessful after the first round of calls are made, another call is made after 5 minutes. If this call fails then subsequent calls are made every hour (up to the maximum number of calls).

**PROGRAMMING SEQUENCE:**

P87E 4E toggles the option ON and OFF

P87E 4E OFF: Maximum 10 dialling attempts

P87E 4E ON: Maximum 4 dialling attempts

# PROGRAMMING

AREA1 Open/Close report  
 AREA2 Open/Close report  
 Chirp Siren on kiss-off  
 Flash Strobe on kiss-off  
 Forced Opening report  
 Delay Closing report  
 Manual Exclude report  
 Auto Exclude report

OPTION No	DESCRIPTION	1E	2E	3E	4E	5E	6E	7E	8E
<b>P88E</b>	Open/Close reporting options					ON		ON	ON

ON = Factory default setting.

## P88E 1E

### PROGRAM MODE LEVEL:

Installer, Remote by PC

### FACTORY DEFAULT:

OFF: No AREA1 Open/Close reports

### NOTES:

## AREA1 OPEN/CLOSE REPORTS

Enables or disables sending of AREA1 Open/Close reports.

The User ID of the code used is included in the report. Keypress Arming and Shortcut Arming are identified as User 15.

### PROGRAMMING SEQUENCE:

**P88E 1E** toggles the option ON and OFF

P88E 1E OFF: No AREA1 Open/Close reports

P88E 1E ON: AREA1 Open/Close reports enabled

## P88E 2E

### PROGRAM MODE LEVEL:

Installer, Remote by PC

### FACTORY DEFAULT:

OFF: No AREA2 Open/Close

### NOTES:

## AREA2 OPEN/CLOSE REPORTS

Enables or disables sending of AREA2 Open/Close reports.

### PROGRAMMING SEQUENCE:

**P88E 2E** toggles the option ON and OFF

P88E 2E OFF: No AREA2 Open/Close reports

P88E 2E ON: AREA2 Open/Close reports enabled

## P88E 3E

### PROGRAM MODE LEVEL:

Installer, Remote by PC

### FACTORY DEFAULT:

OFF: No Siren Chirp on kiss-off

### NOTES:

#### • RELATED OPTIONS:

**P88E 4E** Flash Strobe on kiss-off

## SIREN CHIRP ON KISS-OFF

Selects a 2 Second Siren burst on a successful Closing report. This is used to give audible indication that the dialler has successfully sent the Arming report.

### PROGRAMMING SEQUENCE:

**P88E 3E** toggles the option ON and OFF

P88E 3E OFF: No Siren Chirp on kiss-off

P88E 3E ON: Siren Chirp on kiss-off enabled

## P88E 4E

### PROGRAM MODE LEVEL:

Installer, Remote by PC

### FACTORY DEFAULT:

OFF: No Strobe Flash on kiss-off

### NOTES:

#### • RELATED OPTIONS:

**P88E 3E** Siren Chirp on kiss-off

## STROBE FLASH ON KISS-OFF

Selects a 2 Second Strobe on a successful Closing report. This is used to give visual indication that the dialler has successfully sent the Arming report.

### PROGRAMMING SEQUENCE:

**P88E 4E** toggles the option ON and OFF

P88E 4E OFF: No Strobe Flash on kiss-off

P88E 4E ON: Strobe Flash on kiss-off enabled

# PROGRAMMING

## P88E 5E

**PROGRAM MODE LEVEL:**

Installer, Remote by PC

**FACTORY DEFAULT:**

ON: Forced opening Reports enabled

**NOTES:**

- This option is used to indicate to the Central Station that an alarm has been reset by a valid user.

Usually used in cases where Open/Close reports are normally selected OFF.

## P88E 6E

**PROGRAM MODE LEVEL:**

Installer, Remote by PC

**FACTORY DEFAULT:**

OFF: Closing Reports sent on Arming

**NOTES:**

- RELATED OPTIONS:
  - P88E 1E** AREA1 Open/Close reports
  - P88E 2E** AREA2 Open/Close reports

## P88E 7E

**PROGRAM MODE LEVEL:**

Installer, Remote by PC

**FACTORY DEFAULT:**

ON: Manual Exclude Reports enabled

**NOTES:**

- RELATED OPTIONS:
  - P88E 8E** Auto Exclude Reports

## P88E 8E

**PROGRAM MODE LEVEL:**

Installer, Remote by PC

**FACTORY DEFAULT:**

ON: Auto Exclude Reports enabled

**NOTES:**

- RELATED OPTIONS:
  - P88E 7E** Manual Exclude Reports

## FORCED OPENING REPORT

If Forced Opening Report is selected ON – when an alarm has been reset by a valid User Code (or Radio Key), the dialler will send an Opening report along with a restoral report for the zone or miscellaneous input which caused the alarm.

**PROGRAMMING SEQUENCE:**

**P88E 5E** toggles the option ON and OFF

P88E 5E OFF: No Forced opening Reports

P88E 5E ON: Forced opening Reports enabled

## DELAY CLOSING REPORT

If selected ON, Closing reports (if enabled) are sent at the end of Exit Time. Normally, Closing reports are sent immediately on Arming.

**PROGRAMMING SEQUENCE:**

**P88E 6E** toggles the option ON and OFF

P88E 6E OFF: Closing Reports sent on Arming

P88E 6E ON: Closing Reports sent at end of Exit Time

## MANUAL EXCLUDE REPORT

Enables Manual Exclude Reports for Zones 1~8. Exclude Reports for 24hr zones are sent on exiting EXCLUDE mode.

**PROGRAMMING SEQUENCE:**

**P88E 7E** toggles the option ON and OFF

P88E 7E OFF: No Manual Exclude Reports

P88E 7E ON: Manual Exclude Reports enabled

## AUTO EXCLUDE REPORT

Enables Auto Exclude Reports for Zones 1~8. Zones not sealed on Arming will be reported as Auto Excluded..

**PROGRAMMING SEQUENCE:**

**P88E 8E** toggles the option ON and OFF

P88E 8E OFF: No Auto Exclude Reports

P88E 8E ON: Auto Exclude Reports enabled

# PROGRAMMING

Enable Test Calls  
Mains Report delay  
Listen-in to dialler  
Swinger shutdown  
Line Fault Monitor  
Line Fault to AUX2  
Internal Timing

OPTION No	DESCRIPTION	1E	2E	3E	4E	5E	6E	7E	8E
P89E	Miscellaneous Reporting options	ON	ON		ON				

ON = Factory default setting.

## P89E 1E

**PROGRAM MODE LEVEL:**

Installer, Remote by PC

**FACTORY DEFAULT:**

ON: Test Calls enabled

**NOTES:**

- RELATED OPTIONS:  
**P83E** Test Call Interval  
**P84E** Time before next Test call  
**P87E 4E** Number Of Dialling Attempts

### ENABLE TEST CALLS

This option enables the reporting of dialler test calls to the Central station.

**PROGRAMMING SEQUENCE:**

**P89E 1E** toggles the option ON and OFF

P89E 1E OFF: No Test Calls

P89E 1E ON: Test Calls enabled

## P89E 2E

**PROGRAM MODE LEVEL:**

Installer, Remote by PC

**FACTORY DEFAULT:**

ON: Mains Fail report is delayed

**NOTES:**

### MAINS REPORT DELAY

This option allows Mains Fail reports to be delayed by one hour if the mains power has been off continuously for that time. Normally, the Mains Fail report is sent immediately the power fails.

**PROGRAMMING SEQUENCE:**

**P89E 2E** toggles the option ON and OFF

P89E 2E OFF: Mains Fail reports immediately

P89E 2E ON: Mains Fail report is delayed by 1 hour

## P89E 3E

**PROGRAM MODE LEVEL:**

Installer, Remote by PC

**FACTORY DEFAULT:**

OFF: No Listen-In

**NOTES:**

- For convenient and private Listen-In, temporarily connect a spare horn speaker to the Siren output.

### LISTEN-IN TO DIALLER

This is a diagnostic feature for installers. Listen-In is turned on for a minimum of 4 minutes after exiting Program Mode.

During Listen-In, the dialler message and other telephone tones can be heard through the Siren output (at low volume) while the dialler is sending reports. The 4 minute period is restarted whenever any key on the keypad is pressed.

To turn Listen-In off, go back into Installer Program mode and toggle the option OFF.

**PROGRAMMING SEQUENCE:**

**P89E 3E** toggles the option ON and OFF

P89E 3E OFF: No Listen-In

P89E 3E ON: Listen-In enabled

# PROGRAMMING

## P89E 4E

**PROGRAM MODE LEVEL:**

Installer, Remote by PC

**FACTORY DEFAULT:**

ON: Swinger Shutdown enabled

**NOTES:**

- This prevents unnecessary multiple alarms reported to the Central station in cases, for example, where a door is 'swinging' in the wind.

## P89E 5E

**PROGRAM MODE LEVEL:**

Installer, Remote by PC

**FACTORY DEFAULT:**

OFF: No Line Fault Monitor

**NOTES:**

- RELATED OPTIONS:  
**P89E 6E** Line Fault to AUX2

## P89E 6E

**PROGRAM MODE LEVEL:**

Installer, Remote by PC

**FACTORY DEFAULT:**

OFF: No Line Fault output

**NOTES:**

- RELATED OPTIONS:  
**P89E 5E** Line Fault Monitor

## P89E 7E

**PROGRAM MODE LEVEL:**

Installer, Remote by PC

**FACTORY DEFAULT:**

OFF: Clock uses mains frequency timing

**NOTES:**

## SWINGER SHUTDOWN

Limits the number of calls made by a zone alarm when Multiple Zone Alarms are enabled for that zone.

If enabled, multiple reports are limited to three per zone.

**PROGRAMMING SEQUENCE:**

**P89E 4E** toggles the option ON and OFF

P89E 4E OFF: No Swinger Shutdown (unlimited multiple reports)

P89E 4E ON: Swinger Shutdown enabled (maximum 3 reports per zone)

## LINE FAULT MONITOR

When this option is enabled, the telephone line is regularly tested. If the telephone line is not found, the Line light will commence flashing.

**PROGRAMMING SEQUENCE:**

**P89E 5E** toggles the option ON and OFF

P89E 5E OFF: No Line Fault Monitor

P89E 5E ON: Line Fault Monitor enabled

## LINE FAULT TO AUX2

When this option is enabled, a telephone line fault condition will turn ON the AUX2 output. Aux2 will turn OFF when the telephone line is restored.

The line fault condition must present for 1 minute before Aux2 output will turn on.

**PROGRAMMING SEQUENCE:**

**P89E 6E** toggles the option ON and OFF

P89E 6E OFF: No Line Fault output

P89E 6E ON: Line Fault to AUX2 enabled

## INTERNAL TIMING

When set ON, the Test Report Timer uses the panel's onboard crystal oscillator instead of the external mains power supply frequency.

Use this option if the mains frequency is not stable over long periods. (Not necessary in Australia and New Zealand).

**PROGRAMMING SEQUENCE:**

**P89E 7E** toggles the option ON and OFF

P89E 7E OFF: Clock uses mains frequency timing

P89E 7E ON: Clock uses internal timing

# PROGRAMMING

Upload/Download  
Direct Connect  
Remote Arming  
Remote Disarming  
Remote AUX control  
Remote Status reporting  
Remote Event reporting  
Callback mode

OPTION No	DESCRIPTION	1E	2E	3E	4E	5E	6E	7E	8E
<b>P90E</b>	Upload/Download options								

ON = Factory default setting.

## P90E 1E

### PROGRAM MODE LEVEL:

Installer, Remote by PC

### FACTORY DEFAULT:

OFF: No Remote Access

### NOTES:

- RELATED OPTIONS:  
P91E Required Rings

## REMOTE ACCESS

When selected On, this option allows the panel to be remotely upload/downloaded by a remote computer or controlled by a remote telephone.

When the option is Off, the panel will not answer incoming telephone calls, preventing any type of remote access.

### PROGRAMMING SEQUENCE:

**P90E 1E** toggles the option ON and OFF

P90E 1E OFF: No Remote Access

P90E 1E ON: Remote Access enabled

## P90E 2E

### PROGRAM MODE LEVEL:

Installer, Remote by PC

### FACTORY DEFAULT:

OFF: No Direct Connect

### NOTES:

- Remote Access must also be enabled
- RELATED OPTIONS:  
P90E 1E Enable Upload/Download

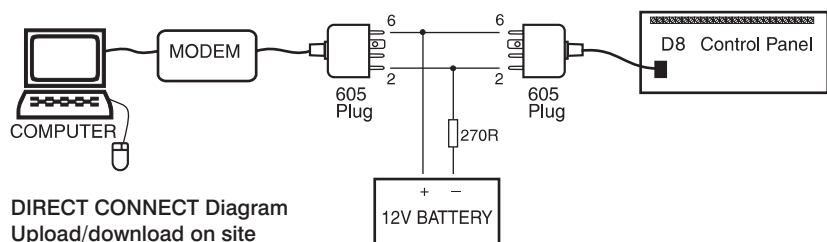
## DIRECT CONNECT

This allows a direct connection to be used between the D8 telephone output and an on site computer with modem using NessComms™ up/download software.

Direct Connect simulates a telephone line ring and makes the D8 connect immediately to the telephone line.

### SEQUENCE:

- The panel must be in Installer Program mode.
- Dial the panel using NessComms™.
- While NessComms is ringing the panel, press P90E 2E.
- This forces the panel to pick up the line and comms can start.



## P90E 3E

### PROGRAM MODE LEVEL:

Installer, Remote by PC

### FACTORY DEFAULT:

OFF: No Remote Arming

### NOTES:

- Remote Access must also be enabled
- RELATED OPTIONS:  
P90E 1E Enable Upload/Download
- See page 59 for details on Remote Operation by telephone

## REMOTE ARMING

Allows the remote Arming of the control panel using a standard DTMF telephone (or mobile phone) from anywhere in the world.

### PROGRAMMING SEQUENCE:

**P90E 3E** toggles the option ON and OFF

P90E 3E OFF: No Remote Arming

P90E 3E ON: Remote Arming enabled



# PROGRAMMING

## P90E 4E

**PROGRAM MODE LEVEL:**

Installer, Remote by PC

**FACTORY DEFAULT:**

OFF: No Remote Disarming

**NOTES:**

## REMOTE DISARMING

Allows the remote Disarming of the control panel using a standard DTMF telephone (or mobile phone) from anywhere in the world.

**PROGRAMMING SEQUENCE:**

**P90E 4E** toggles the option ON and OFF

P90E 4E OFF: No Remote Disarming

P90E 4E ON: Remote Disarming enabled

## P90E 5E

**PROGRAM MODE LEVEL:**

Installer, Remote by PC

**FACTORY DEFAULT:**

OFF: No Remote AUX control

**NOTES:**

## REMOTE AUX CONTROL

Enables the remote turn ON/OFF of the AUX1 & AUX2 outputs using a standard DTMF telephone (or mobile phone) from anywhere in the world.

**PROGRAMMING SEQUENCE:**

**P90E 5E** toggles the option ON and OFF

P90E 5E OFF: No Remote AUX control

P90E 5E ON: Remote AUX control enabled

## P90E 6E

**PROGRAM MODE LEVEL:**

Installer, Remote by PC

**FACTORY DEFAULT:**

OFF: No Remote Status Reporting

**NOTES:**

## REMOTE STATUS REPORTING

Enables Remote Status Reporting

**PROGRAMMING SEQUENCE:**

**P90E 6E** toggles the option ON and OFF

P90E 6E OFF: No Remote Status Reporting

P90E 6E ON: Remote Status Reporting enabled

## P90E 7E

**PROGRAM MODE LEVEL:**

Installer, Remote by PC

**FACTORY DEFAULT:**

OFF: No Remote Event Reporting

**NOTES:**

## REMOTE EVENT REPORTING

Enables Remote Event Reporting

**PROGRAMMING SEQUENCE:**

**P90E 7E** toggles the option ON and OFF

P90E 7E OFF: No Remote Status Reporting

P90E 7E ON: Remote Status Reporting enabled

## P90E 8E

**PROGRAM MODE LEVEL:**

Installer, Remote by PC

**FACTORY DEFAULT:**

OFF: No Callback

**NOTES:**

• RELATED OPTIONS:

**P90E 1E** Enable Upload/Download

**P81E** Telephone Number 4, Callback

## CALLBACK MODE

Enables two methods of connecting by computer for remote upload/download.

**NO CALLBACK** – Allows remote access by computer as long as the panel's Account Number (P72E) is known. The panel answers on the 2nd incoming call.

**WITH CALLBACK** – The panel will answer the 2nd call, verify the caller, hang up and then make the Callback using Telephone Number 4.

**PROGRAMMING SEQUENCE:**

**P90E 8E** toggles the option ON and OFF

P90E 8E OFF: No Callback

P90E 8E ON: Callback Mode enabled

# PROGRAMMING

OPTION No	DESCRIPTION	DEFAULT	NOTE
P91E	Required Rings to answer	1	

## P91E

**PROGRAM MODE LEVEL:**  
Installer, Remote by PC

**FACTORY DEFAULT:**  
1

- NOTES:**
- RELATED OPTIONS:  
P90E 1E to 8E (Remote Access options)

### REQUIRED RINGS

Sets the number of double-rings before an incoming call is answered. This is used for Remote Access.

Programmable from 1 to 16 rings. Enter a value between 1 and 16.

#### PROGRAMMING SEQUENCE:

- P91E existing Required Rings value is displayed
- [ENTER NEW VALUE] E new Required Rings value is displayed

OPTION No	DESCRIPTION	Zones							
		1	2	3	4	5	6	7	8
P94E	"No memory warning" zones								

## P94E

**PROGRAM MODE LEVEL:**  
Installer, Remote by PC

**FACTORY DEFAULT:**  
no zones selected

- NOTES:**
- OE will turn all selections OFF
  - MEMORY E will turn all selections ON

### NO MEMORY WARNING ZONES

Select zones 1 to 8 that do not flash the Memory indicator on the keypad/s. The alarm still goes into memory and can be seen when reviewing.

#### PROGRAMMING SEQUENCE:

- P94E 1E-8E toggles the option ON and OFF
- P94E 1E-8E OFF: Memory Warning operates normally for that zone
- P94E 1E-8E ON: Memory Warning is disabled for that zone

## SPECIAL FUNCTIONS

### SEND DIALLER TEST REPORT

Send a Dialler Test Report to the telephone number programmed at P70E. This test operates only in User program mode.

**P66666666E** (eight 6's) Triggers dialler and sends test report to Central Station

### SIREN TEST

Turn the Siren, Reset and Strobe Outputs On. Pressing P E will stop the Siren Test (and also exits Program Mode).

This test operates in User and Installer program mode.

**P77777777E** (eight 7's) Triggers Siren, Reset, Strobe

### PANEL RESET

This function resets the microprocessor. The effect is the same as powering down and powering up again. Panel Reset operates in User and Installer program mode.

**P88888888E** (eight 8's) Panel Reset

### PANEL SOFTWARE VERSION

This function displays the panel software version when in program mode. Displayed in decimal format by the zone LEDs.

Example, version 4.5 is displayed by flashing 4 followed by 5.

This test operates in User and Installer program mode.

**P99999999E** (eight 9's) Displays software version

# PROGRAMMING

These options allow selective restoring of various factory defaults. For example, you can default (clear) all the User Codes, without affecting any other programmed options.

OPTION No	DESCRIPTION	DEFAULT	NOTE
<b>P95E</b>	Clear Radio Devices	not applicable	
<b>P96E</b>	Clear Memory	not applicable	
<b>P97E</b>	Restore Factory Defaults	not applicable	
<b>P98E</b>	Clear User Codes	not applicable	
<b>P99E</b>	Program the Installer Code	000000	

## P95E

**PROGRAM MODE LEVEL:**  
Installer, Remote by PC

**FACTORY DEFAULT:**  
[not applicable]

### CLEAR RADIO DEVICES

This option clears all Radio Device Codes. (Except Radio Keys assigned to Radio Codes). Options P01E – P08E are defaulted (eg, Radio PIRs assigned to zones 1–8)

**PROGRAMMING SEQUENCE:**  
**P95E** *Clears Radio Device Codes*

## P96E

**PROGRAM MODE LEVEL:**  
Installer, Remote by PC

**FACTORY DEFAULT:**  
[not applicable]

### CLEAR MEMORY

Enter P96E when in Installer Program mode to clear all events in the Alarm memory display.

**PROGRAMMING SEQUENCE:**  
**P96E** *Clears Alarm Memory display*

## P97E

**PROGRAM MODE LEVEL:**  
Installer, Remote by PC

**FACTORY DEFAULT:**  
[not applicable]

**NOTES:**

### CLEAR PANEL OPTIONS

This option restores 'panel' program options to their factory default values. Defaults the options P00E, P26E to P93E, P99E. (This includes all options except User Codes, Radio Codes & Radio Devices).

**PROGRAMMING SEQUENCE:**  
**P97E** *Restores Factory Defaults*

## P98E

**PROGRAM MODE LEVEL:**  
Installer, Remote by PC

**FACTORY DEFAULT:**  
User Code 1: 123  
All other codes: [blank]

**NOTES:**  
• This option DOES NOT clear the Installer Code.

### CLEAR USER CODES

This option clears all User codes and Radio Codes (Radio Keys) and restores factory default codes.

P09E–P10E are defaulted (Radio Codes assignment)  
P11E – P25E are defaulted (User Codes 1–15)

**PROGRAMMING SEQUENCE:**  
**P98E** *Clears User Codes*

## P99E

**PROGRAM MODE LEVEL:**  
Installer, Remote by PC

**FACTORY DEFAULT:**  
000000

**NOTES:**

### PROGRAM THE INSTALLER CODE

Programs the installer code. This code can be 3 to 6 digits long. Factory default installer code is 000000.

**PROGRAMMING SEQUENCE:**  
**P99E** [Enter new code]E [Enter new code again]E  
*(Unlike User Codes, the installer code is not displayed when programming)*

For a complete list of factory default values, see the Programming Options Summary on pages 62, 63.

# NESS RADIO

## RADIO QUICK START

### PROGRAMMING RADIO KEYS:

- ❶ Select which User Codes 2–8 will be Radio Codes (P09E–P10E)
- ❷ Select the User Code (P12E–P25E)
- ❸ Press 1E  
The READY light will turn ON to indicate that the User Code is ready to accept the Radio Key
- ❹ Press the OFF button on the Radio Key to be programmed  
If the Radio Key is accepted, the READY light will turn off and 3 beeps will sound

### PROGRAMMING RADIO DEVICES (Radio PIRs etc):

- ❶ Select a zone to which the Radio PIR will be assigned (P01E–P08E)
- ❷ Press 1E  
The READY light will turn ON to indicate that the zone is ready to accept the Radio Device.
- ❸ Trigger the Radio Device  
If the Radio Device is accepted, the READY light will turn off, the ARMED light will turn on and 3 beeps will sound.

### NOTES:

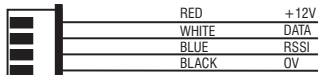
- The Ness Radio Interface is normally installed inside the control panel box.
- In cases where radio reception needs to be improved, the Radio Interface can be installed up to 50 metres away from the control panel. (Use 14/0.20 cable)
- If the Radio Interface must be installed inside a metal enclosure, the antenna wire should protrude outside the enclosure.
- For best performance, the antenna wire should be kept straight and not coiled, shortened or extended.

## NESS RADIO INTERFACE

The Ness Radio Interface (100–200) is the optional radio receiver required to enable all radio functions. Connection to the control panel is via a 4 wire loom and plug supplied with the Ness Radio Interface.

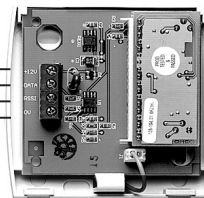
If the Ness Radio Interface is correctly installed, the D8 keypad will flash the RADIO light ON when any radio signal is detected (from both programmed and non-programmed radio devices).

### NESS D8 CONTROL PANEL



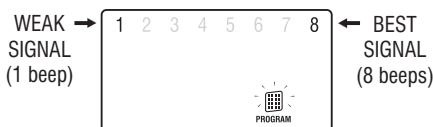
### NESS RADIO INTERFACE

Part No. 100–200



### NOTES:

- Signal strength of Radio Keys can be tested in USER PROGRAM Mode or INSTALLER PROGRAM Mode.
- Signal strength of all other Radio Devices is tested in INSTALLER PROGRAM Mode.
- PRESS 3E to test the signal strength of the selected transmitter ONLY. (Other devices will be ignored).
- PRESS 4E to test the signal strength of ANY Ness transmitter (including unprogrammed devices).



## SIGNAL STRENGTH

The Signal Strength test can be used to test the radio signal from any Ness radio device. The strength of the radio signal received is displayed on the zone lights 1–8 and beeped by the keypad.

The higher the number displayed (and beeped) the stronger the signal received.

### TEST SEQUENCE:

- ❶ Enter the option for the radio device to be tested  
For Radio Keys: options P12E–P25E. For all other radio devices: options P01E–P08E
- ❷ Press 3E
- ❸ Trigger the radio device
  - One of zone lights 1–8 will turn ON to indicate the signal strength from the transmitter
  - The Signal Strength display remains on until another command is entered
  - To clear the display and re-test the transmitter, simply press 3E again (or 4E to test any other transmitter)

# NESS RADIO

NESS RADIO DEVICES  
Radio Events Table



SIGNAL TYPE	RKP RADIO KEYPAD 100-001	RK1 RADIO KEY PENDANT 100-665	RK3 RADIO KEY 3 BUTTON 100-664	RK4 RADIO KEY 4 BUTTON 100-067	R12 RADIO PIR R15 RADIO PIR 100-691/100-663	RR1/RR2 RADIO REED SWITCH 100-662/100-527	RPB RADIO EMERG BUTTON 100-283	RSM RADIO SMOKE DETECTOR 100-203
ARM / DISARM	15 User IDs		ON/OFF buttons	ON/OFF buttons				
ALARM					yes	yes		yes
RESTORAL						yes		
PANIC	* [star buttons]	PANIC button	PANIC button	PANIC button			PANIC button	
AUX	yes			yes				
LOW BATT	yes	yes	yes	yes	yes	yes	yes	yes
TAMPER						yes		
SUPERVISION	yes				yes	yes	yes	

## RADIO DEVICES – OPERATION

**ALARM:** Any Ness Radio Device can operate on any zone 1–8 as programmed by P01E-P08E. The hardwired zones 1–8 continue to operate in parallel.

Radio Keys can also operate on radio zones 1–8 for special purposes, but they should normally be used as Radio Codes.

**KEYSWITCH INPUT:** A Radio Device programmed to Zone 8 will still work as an alarm even if the Zone 8 input operation has been changed to Keyswitch operation. The P60E 2E and 3E options only affect the Zone 8 terminal inputs.

**VIBRATION:** Radio device zone signals IGNORE the P30E–P38E vibration sensor settings.

**TAMPER REPORT:** Radio Device Tamper operation depends on the Armed State of the control panel.

**RADIO TAMPER:** causes the keypad to continuously beep and also to flash the RADIO, TAMPER and the ZONE (identifying the detector) lights. Pressing any key on the keypad or sending a TAMPER RESTORE will clear this warning.

**LOW BATTERY REPORT:** A low battery gives 10 beeps and flashes the RADIO & the BATTERY light. The ZONE light identifying the radio device is also ON. The flashing lights stop when any key on the keypad is pressed or a detector code with no low battery is received. Low Battery generates HISTORY and DIALLER reports ONCE only (until the low battery is fixed and a restore report is received).

**SUPERVISION:** If a zone has the P65E option ON and a radio code has been programmed for that zone, then the supervision is active. This means that the radio detector does not need to have its SUPER enabled (via header link) for the SUPERVISED timeout to occur. (Useful as an inactivity alarm). A zone supervision failure always flashes the identifying ZONE light and the RADIO light.

## RADIO SUPERVISION

The purpose of Radio Supervision is to verify the correct operation of Ness Radio PIRs. The Supervision signal from the Radio PIR tells the panel that the device has not been removed from radio range and is in working order.

Non-SUPERVISION Radio PIRs can also be programmed and used with the D8 SUPERVISION TIMERS.

A non-SUPERVISION enabled Radio PIR will transmit signals to the D8 only when it has detected an event. Obviously, there is no guaranteed signal period.

In either case, when the allowed time limit is exceeded then a WARNING is first given (if programmed by P66E 3E), and then after 1 minute, the programmed RADIO SUPERVISION ALERTS are generated by the D8.

NOTE: Manually Excluding a Supervised Zone will also disable Radio Supervision for that zone.

# NESS RADIO

## P01E ~ P08E

### PROGRAM MODE LEVEL:

Installer, Remote by PC

### FACTORY DEFAULT:

No Radio Devices programmed

### NOTES:

- Radio Device programming is done by 'learning' the code by radio.
- Radio Devices codes can only be deleted by keypad.
- Some Ness Radio Devices send separate Alarm and Restore signals.
- Ness Radio Keys can be programmed to operate on radio *zones*, but they are normally used to operate Radio Codes as described on page 57.

- Late model Ness Radio PIRs (100–663) and Radio Reed Switches (100–662) send Supervision signals.

### SUPERVISION RELATED OPTIONS:

- P65E** Supervised Radio Zones
- P66E 1E–8E** Radio Supervision Alerts
- P67E** Radio Supervision Time
- P75E 12E** Radio Supervision Fail Report

### RELATED OPTIONS:

- P09E–P10E** Programming Radio Keys

### RADIO DEVICES – OPTION TABLE

ZONE	OPTION No
Zone 1	P01E
Zone 2	P02E
Zone 3	P03E
Zone 4	P04E
Zone 5	P05E
Zone 6	P06E
Zone 7	P07E
Zone 8	P08E



### TIP:

To prevent conflicting radio signals when programming Radio Devices, disable each device once you have finished programming it. (Remove the battery or open the RADIO link).  
Remember to enable all the devices when programming is completed.

## RADIO DEVICE PROGRAMMING

Each of the 8 zones of the D8 can be a radio zone. Once programmed, zones can accept both Radio Devices and normal zone inputs simultaneously.

The optional 100–200 Ness Radio Interface is required for Radio Devices to operate.

A Radio Device is any type of Ness transmitter including Radio PIR, Radio Reed Switches, Radio Smoke Detector.

### PROGRAMMING RADIO DEVICES

Up to 8 Radio Devices can be assigned, (one per zone).

### PROGRAMMING SEQUENCE – NO RESTORALS

Suitable for 100–663 **Radio PIR**, 100–665 **Radio Pendant**, 100–203 **Radio Smoke Detector**.

#### 1 Select a zone using P01E – P08E

The ARMED light will be ON if a Radio Device is already programmed to the zone. Press 0E to delete.

#### 2 Press 1E

The READY light will turn ON to indicate that the zone is ready to accept the Radio Device.

#### 3 Trigger the Radio Device

- A. If the Radio Device is accepted, the READY light will turn off, the ARMED light will turn on and 3 beeps will sound.
- B. If the READY light stays on and a warning beep sounds, the Radio Device is already assigned to another zone and must be cleared from that zone first.
- C. If SUPERVISED SIGNALS have also been successfully recognised, the TAMPER light will turn ON.

**EXAMPLE:** To program a Radio PIR on zone 1:

**P01E 1E** Trigger the Radio PIR (or simply connect the battery)

### PROGRAMMING SEQUENCE – WITH RESTORALS

Suitable for 100–662 **Radio Reed Switch**.

#### 1 Alarm the reed switch, ie., move the magnet away from the switch

Leave the reed switch in the alarm condition and wait until radio transmission has stopped.

#### 2 Select a zone using P01E – P08E

The ARMED light will be ON if a Radio Device is already programmed to the zone. Press 0E to delete.

#### 3 Press 1E

The READY light will turn ON to indicate that the zone is ready to accept the Radio Device.

#### 4 Restore the reed switch (place the magnet next to the switch)

- A. If the Radio Device is accepted, the READY light will turn off, the ARMED light will turn on and 3 beeps will sound.
- B. The MEMORY light will turn on to indicate that this device sends Restorals.
- C. If the READY light stays on and a warning beep sounds, the Radio Device is already assigned to another zone and must be cleared from that zone first.
- D. If SUPERVISED SIGNALS have also been successfully recognised, the TAMPER light will turn ON.

**EXAMPLE:** To program a Radio Reed Switch with Restorals on zone 2:

Alarm the reed switch **P02E 1E** Restore the reed switch

### DELETING A RADIO DEVICE:

#### 1 Use P01E to P08E to select the zone

#### 2 Press 0E to clear the device (3 beeps will sound)

# NESS RADIO

## P09E, P10E

**PROGRAM MODE LEVEL:**  
Installer, Remote by PC

**FACTORY DEFAULT:**  
No Radio Codes

**NOTES:**

- All User Codes can be Radio Codes except User Code 1 (Master Code) which is always a Keypad Code.
- Each User Code 2–15 can be either a Radio Code or a Keypad Code (not both).
- Radio Key programming is done by 'learning' the code by radio.
- Radio Codes can only be deleted by keypad in the case of a lost Radio Key.
- Radio Keys are allocated to User Codes, so that Open/Close reports are identified by user number when the control panel is base station monitored. (If Open/Close reports are enabled)
- Radio Codes cannot be made Arm Only
- **TIP:** When adding Radio Keys, start at e.g., User Code 9. This will keep codes 1 to 8 free for use as Keypad Codes.
- **RELATED OPTIONS:**  
**P01E–P08E** Programming Radio Devices



100-664  
Ness RK3  
Radio Key



100-001 Ness  
RKP  
Radio Keypad



100-067  
Ness RK4  
Radio Key

## RADIO CODES

Each of the 15 User Codes, except for the Master Code, can be programmed to be Radio Codes. This allows up to 14 Ness Radio Keys to be used for Arming and Disarming of the panel. The Ness RKP Radio Keypad can also be used with the D8, (see the RKP installer manual). The optional 100–200 Ness Radio Interface is required for radio operation.

### PROGRAMMING RADIO KEYS

Radio Keys can be assigned to take the place of User Codes 2 to 15. (User Code 1 is always a Keypad code.)

### PROGRAMMING SEQUENCE:

- ➊ At option P09E, select which User Codes 2–8 will be Radio Codes  
At option P10E, select which User Codes 9–15 will be Radio Codes
- ➋ Use P12E to P25E to select a User Code  
The User Code selected must already be assigned as a Radio Code by options P09E or P10E
- ➌ Press 1E  
The READY light will turn ON to indicate that the User Code is ready to accept the Radio Key. If a code is already programmed the READY light will not turn on and a warning beep will sound. To clear the code, press 0E, then go back to step 3. (0E clears any Keypad Codes and Radio Keys).
- ➍ Press the OFF button on the Radio Key to be programmed  
If the Radio Key is accepted, the READY light will turn off and 3 beeps will sound. If the READY light stays on and a warning beep sounds, the Radio Key is already assigned to another User Code and must be cleared from that User Code first.

### EXAMPLE: TO PROGRAM A RADIO KEY AT USER CODE 9:

- ➊ P10E 1E Enables User Code 9 as a radio code
- ➋ P19E 1E Selects 'learn' mode for User Code 9
- ➌ Press the OFF button on the Radio Key

### DELETING A RADIO CODE:

- ➊ Use P12E to P25E to select the User Code
- ➋ Press 0E to clear the code 3 beeps will sound

### CODE TABLE

CODE	OPTION No	DESCRIPTION	FACTORY DEFAULT	ENABLE AS A RADIO CODE
User Code 1	P11E	Master Code	123	(Keypad Code only)
User Code 2	P12E			2E
User Code 3	P13E			3E
User Code 4	P14E			4E
User Code 5	P15E			5E
User Code 6	P16E			6E
User Code 7	P17E			7E
User Code 8	P18E			8E
User Code 9	P19E			1E
User Code 10	P20E			2E
User Code 11	P21E			3E
User Code 12	P22E			4E
User Code 13	P23E			5E
User Code 14	P24E			6E
User Code 15	P25E			7E
Installer Code	P99E	Installer Code	000000	

### ASSIGN RADIO CODES

**User →** \* 2 3 4 5 6 7 8

**Codes**

2 3 4 5 6 7 8

**P09E User Codes 2-8**

\* Note: User Code 1 is always a keypad code.

**User →** 9 10 11 12 13 14 15

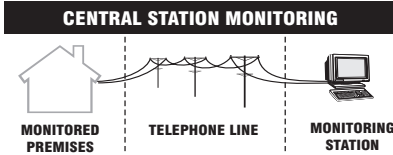
**Codes**

1 2 3 4 5 6 7

**P10E User Codes 9-15**



## CENTRAL STATION MONITORING

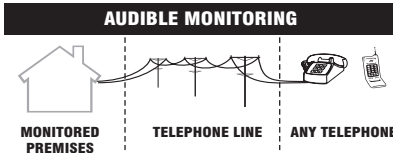


The D8 control panel has an on-board digital dialler which can send detailed alarm messages to a Central Monitoring Station.

The digital messages can include information about the zone/s which caused the alarm, tamper alarms, low battery or mains failure reports, and it can also (by user number) identify the users who Arm and Disarm the system.

Central Station Monitoring is highly recommended and is the most effective method of monitoring your D8 alarm system.

Installers are welcome to contact Ness for further information about monitoring.



## AUDIBLE MONITORING

While Central Station Monitoring is recommended, the D8 can also send audible alarm reports to any DTMF capable telephone. The types of alarms sent are listed in the Reporting Format Table.

The basic audible message takes the form of:

**N** [pause] **A** [pause] **B** [pause]

**N** = The first digit of the Account Number, P72E.

(**N** can be the digits 1–9. If P72E starts with 0, **N** is not sent).

**A** = First digit of the Alarm identifier (See Reporting Format Table).

**B** = Second digit of the Alarm identifier (See Reporting Format Table).

AUDIBLE MONITORING REPORTING FORMAT TABLE

DIGIT A	DIGIT B	ALARM
1	-	Zone 1
2	-	Zone 2
3	-	Zone 3
4	-	Zone 4
5	-	Zone 5
6	-	Zone 6
7	-	Zone 7
8	-	Zone 8
2	1	Duress
2	2	Keyswitch Tamper/Panic
2	3	Keypad Panic
2	4	Radio Panic
2	5	Medical alarm
2	6	Fire alarm
2	7	Exit from installer program mode
3	1	External Tamper
3	2	Internal Panel Tamper
3	3	Keypad Tamper
3	4	Radio Tamper
3	5	Mains Fail
3	6	Panel Battery Fail
4	1	RADIO Battery Fail
4	2	RADIO Supervision Fail

### MESSAGE EXAMPLE (AUDIBLE PULSE FORMAT P86E 4E)

If the Account Number is 1234 and zone 5 alarm is reported:

**beep** [pause] **beep beep beep beep beep**  
 /                                  /  
 1 Beep                              5 Beeps = zone 5  
 = 1st digit of the  
 account number

### REPORTING SEQUENCE

When triggered by an alarm event the D8 will call the Primary Telephone Number (or the Follow Me Telephone Number, if programmed) and at the end of the dialling of the last digit, it will wait for 5 seconds and then commence the audible message, the audible message will continue to repeat for 45 seconds or until it is kissed off by a DTMF tone.

If there is more than one alarm message to transmit then after it has received the Kiss-off/ Acknowledge tone it will commence transmission of the next message. The D8 should continue to do this until all alarm messages are transmitted and Kissed-off.

### ACKNOWLEDGE TONE

The person receiving the call can then acknowledge the alarm by pressing the **#** key on their telephone. Press the **#** key for 2 seconds during pauses in the audible message.

(On mobile phones, press the **#** key in short bursts. Many mobile phones enter sub menus if the **#** key is pressed continuously).

If the alarm is not acknowledged, the keypad's LINE light will flash continuously until the panel is next Armed.

### ALARM EVENTS SENT

The Reporting Format Table identifies the alarm events which can be programmed to be sent in Audible Format.

Open/Close reports, Restorals and Exclusions (Isolates) are NOT sent in Audible Format, even if selected on.

## OPERATING THE D8 BY TELEPHONE

### AUDIBLE FEEDBACK

#### 3 BEEPS:

- The User Code is valid
- Successful Arming or Disarming
- An Auxiliary output has been turned ON.

#### 1 LONG BEEP:

- D8 is already Armed
- Invalid code. Try again.

#### 1 SHORT BEEP:

- An Auxiliary output has been turned OFF.

### SUMMARY OF TELEPHONE COMMANDS

- |            |                             |
|------------|-----------------------------|
| <b>0</b>   | Prepare to receive commands |
| <b>1 #</b> | Arm Areas                   |
| <b>2 #</b> | Disarm Areas                |
| <b>3 #</b> | Turn Aux 1 Output ON or OFF |
| <b>4 #</b> | Turn Aux 2 Output ON or OFF |
| <b>* #</b> | Finished – hang up          |

The D8 will allow a user to call in to the panel, using a standard DTMF telephone, and remotely Arm or Disarm all areas and also turn on or off Aux 1 and Aux 2.

To maintain panel security, remote operations can only be activated after entering a valid user code.

To operate the D8 by telephone, you need a DTMF capable telephone, a valid User Code and you must know the Telephone number of the line to which the D8 is connected.

### NOTES

- If the D8 does not receive commands for periods longer than 10 seconds it will assume that the call is finished and it will hang up.
- If an alarm occurs which requires the D8 to dial out while attempting remote control, the D8 will treat the alarm as a priority, give a constant tone as a warning and then hang up.
- When all remote control commands are finished press **\* #** to force the D8 to hang up.

### SEQUENCE OF OPERATION.

1. Phone the D8 telephone number and listen for the required number of rings (ring ring...ring ring) and then hang up.
2. Wait 10 seconds and then call the number again within 50 seconds.
3. The D8 will answer the second call immediately, sound a beep for 2 seconds then, after a pause, it will sound a lower frequency tone. The D8 is now ready to receive telephone commands.
4. Press the **0** button on the telephone. This tells the D8 that telephone commands will follow. The D8 will respond with either 3 beeps if all OK (One long beep means try again).
5. Now enter a valid User Code (that is normally used for Arming or Disarming the D8) followed by the **#** button.  
The D8 will respond with 3 beeps if it recognises the code or 1 long beep to signal the code was invalid and to try again.
6. Enter the required command. See: Summary Of Telephone Commands.
7. Press **\* #** to finish. This tells the D8 to hang up. Also hang up your telephone.

## NESS ACCESSORIES



Ness 100-021 Quantum™    Ness 100-226 Quantum™ Plus    Ness 100-210 Quantum™ Dual    Ness 100-048 Quantum™ 360



### MOTION DETECTORS

Ness manufactures a range of high quality and efficient motion detectors - including passive infra-red detectors, dual technology / microwave and infra-red devices as well as ceiling mounted 360° detectors.

All Ness detectors are designed using the most modern technology and techniques that ensure superior reliability and performance.

**QUANTUM** - 15m passive infra-red detector with selectable pulse count; suitable for domestic and commercial installations. *PetAware model available.*

**QUANTUM PLUS** - 15m passive infra-red detector with selectable pulse count, temperature compensation and downward looking 'creep' zones.

**QUANTUM DUAL** - 15m combination microwave and passive infra-red detector. This combination of detection technologies virtually eliminates the possibility of unwanted alarms but faithfully detects humans. *PetAware model available.*

**QUANTUM 360** - Ceiling mounted 360° passive infra-red detector with selectable pulse count and sensitivity. Provides 8 metre coverage mounted at standard 2.4 metre ceiling height.

### PET AWARE DETECTORS

The Ness Quantum™ Pet Aware PIR and Pet Aware DUAL are able to discriminate between household pets and unwanted human intruders, allowing you to secure your home with your pets indoors.

### WARNING DEVICES

The range of warning devices includes horn speakers, polytough siren covers, internal 'screamers' and satellite sirens with their own battery backup.

### CCTV

The Ness range of Closed Circuit TV equipment includes Dome cameras, B/W or Colour cameras, Miniature hidden cameras, Monitors - even digital video recorders and remote telephone video systems.

### SWITCHES

A variety of switches are available for protecting doors and windows. The line-up includes surface and flush mount reed switches, emergency buttons, roller door reed switches and the unique Nessor™ vibration sensor for highly effective perimeter protection.

**RADIO ACCESSORIES**

Ness radio devices for the optional extra convenience of wireless remote control and wireless detection.

Operating your Ness security system can be as convenient as opening your car door. The Ness Radio Key™ provides the benefits of separate ON, OFF and PANIC buttons in a slim, waterproof remote control.



**NESS RADIO PENDANT**

Fully waterproof pendant style transmitter can be used as a portable wireless Panic button.

Supplied with a neckchain as well as wristwatch straps. Ideal for use as a medical alarm for the elderly or infirm. (Central Station Monitoring is especially recommended when used for medical alarm purposes). Includes long life lithium battery.



**NESS RADIO REED SWITCH**

Ness Radio Reed Switch for wireless door and window protection. Includes long life lithium battery.



**NESS RADIO KEYPAD**

A unique fully portable radio keypad. The Ness RKP Radio Keypad provides totally wireless Arming/Disarming/Monitor/Panic functions for the Ness D8, D16 & D24 control panels.

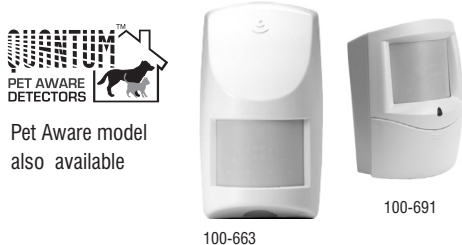
The Ness radio Keypad is suitable for use as a portable keypad or for adding an extra keypad in areas where it is not possible to install wires.



**NESS RADIO KEYS**

Fully waterproof, ultra slim 3 or 4 button Radio Keys for remote control of the control panel.

With separate buttons for ON (Arm), OFF (Disarm), PANIC and AUX functions (RK4 only). Including long life lithium battery.



**NESS RADIO PIR**

Ness R15 Radio PIR and Ness R12 Radio PIR, for wireless motion detection.

Can be used in combination with Ness hardwired detectors in areas where it is not possible to install wires. Includes long life lithium battery.

Also available, the 100-663PET R15PET Radio PIR Pet Aware model, which detects humans but is immune to household pets.



**NESS RADIO SMOKE DETECTOR**

Radio Smoke Detector using Ionisation smoke detection technology. With on board sounder. A single battery powers the smoke detector and the transmitter. Includes 9V lithium battery.

\* Ness radio products require the optional Ness Radio Interface (100-200) to be fitted to the control panel.

OPTION	DESCRIPTION	DEFAULT	PAGE
<b>P00E</b>	FOLLOW ME telephone number	–	39
<b>P01E-P08E</b>	Enable Radio Devices 1–8	–	56
<b>P09E</b>	Enable Radio Keys 1–8	–	57
<b>P10E</b>	Enable Radio Keys 9–15	–	
<b>P11E</b>	<b>USER CODE 1 (MASTER CODE)</b>	123	14
<b>P12E</b>	User Code 2	–	
<b>P13E</b>	User Code 3	–	
<b>P14E</b>	User Code 4	–	
<b>P15E</b>	User Code 5	–	
<b>P16E</b>	User Code 6	–	
<b>P17E</b>	User Code 7	–	
<b>P18E</b>	User Code 8	–	
<b>P19E</b>	User Code 9	–	
<b>P20E</b>	User Code 10	–	
<b>P21E</b>	User Code 11	–	
<b>P22E</b>	User Code 12	–	
<b>P23E</b>	User Code 13	–	
<b>P24E</b>	User Code 14	–	
<b>P25E</b>	User Code 15	–	
<b>P26E</b>	<b>ENTRY DELAY TIME 1</b>	20 Sec	15
<b>P27E</b>	Entry Delay Time 2	6=60 Sec	
<b>P28E</b>	<b>EXIT DELAY TIME</b>	60 Sec	
<b>P29E</b>	Siren Reset Time	5 min	
<b>P30E</b>	Normal Zone Sensitivity	all zones	16
<b>P31E-P38E</b>	Vibration Sensitivity. High–Low	–	
<b>P39E</b>	Double Trigger zones	–	17
<b>P40E</b>	Instant Zones	zones 3–8	17
<b>P41E</b>	<b>ENTRY DELAY 1 ZONES</b>	zone 1	
<b>P42E</b>	<b>HANDOVER ZONES</b>	zone 2	18
<b>P43E</b>	Entry Delay 2 zones	–	
<b>P44E</b>	Reset Lockout zones	all zones	
<b>P45E</b>	<b>AREA 1 ZONES</b>	all zones	20
<b>P46E</b>	AREA 2 zones	–	
<b>P47E</b>	AREA 1 user codes 1–8	all codes	21
<b>P48E</b>	AREA 1 user codes 9–15	all codes	
<b>P49E</b>	AREA 2 user codes 1–8	user code 1	
<b>P50E</b>	AREA 2 user codes 9–15	–	
<b>P51E</b>	MONITOR MODE zones	–	18
<b>P52E</b>	24hr zones	–	19
<b>P53E</b>	DAY MODE zones	–	
<b>P54E</b>	RESET Output zones	all zones	22
<b>P55E</b>	STROBE Output zones	all zones	
<b>P56E</b>	KEYPAD SONALERT zones	all zones	
<b>P57E</b>	SIREN zones	all zones	23
<b>P58E</b>	Aux1 zones	–	
<b>P59E</b>	Aux2 zones	–	

These options are available in USER PROGRAM MODE.

ALL options are available in INSTALLER PROGRAM MODE.

OPTION	DESCRIPTION	DEFAULT	PAGE	
<b>P60E</b>	1E	Entry beeps	ON	24,25
	2E	Keyswitch Monitor/Disarm	OFF	
	3E	Keyswitch Arm/Disarm	OFF	
	4E	Tamper Siren Lockout	ON	
	5E	Duress to Reset output	OFF	
	6E	Auto Exclude zones	ON	
	7E	Auto Keypad Display off	OFF	
	8E	Delayed Arm1, Arm2 outputs	OFF	
<b>P61E</b>	1E	Tamper to RESET output	ON	26
	2E	Tamper to STROBE output	ON	
	3E	Tamper to KEYPAD BEEPER	ON	
	4E	Tamper to SIREN output	ON	
	5E	Keypad Panic to RESET output	ON	
	6E	Keypad Panic to STROBE output	ON	
	7E	Keypad Panic to KEYPAD BEEPER	ON	
	8E	Keypad Panic to SIREN output	ON	
<b>P62E</b>	1E	Shortcut Memory Display	ON	27
	2E	Shortcut Zone Exclude	ON	
	3E	Shortcut Monitor Mode	ON	
	4E	Shortcut Keypad Panic	OFF	
	5E	Shortcut AREA1 Arming	ON	
	6E	Shortcut AREA2 Arming	OFF	
	7E	2 sec. warning on Auto Exclude	ON	
	8E	Exit Time x10	OFF	
<b>P63E</b>	1E	Monitor alarms to RESET output	OFF	28
	2E	Monitor alarms to STROBE output	OFF	
	3E	Monitor alarms to KEYPAD BEEPER	OFF	
	4E	Monitor alarms to SIREN output	OFF	
	5E	Day alarms to RESET output	ON	
	6E	Day alarms to STROBE output	ON	
	7E	Day alarms to KEYPAD BEEPER	OFF	
	8E	Day alarms to SIREN output	OFF	
<b>P64E</b>	1E	Brief Monitor Alarm	OFF	29, 30
	2E	Brief Day Alarm <small>(Also enables Temp Day Zones feature)</small>	OFF	
	3E	Monitor zones have Entry Delay 2	ON	
	4E	RADIO KEY SIREN CHIRPS	OFF	
	5E	50Hz mains frequency	ON	
	6E	Double Key Keypad Panic	ON	
	7E	Keypad Fire Alarm	OFF	
	8E	Keypad Medical Alarm	OFF	
<b>P65E</b>	Supervised Radio Zones	–	31	
<b>P66E</b>	1E	Supervision alarm to RESET o/p	OFF	32, 33
	2E	Supervision alarm to STROBE o/p	OFF	
	3E	Supervision alarm to KP BEEPER	OFF	
	4E	Supervision alarm to SIREN o/p	OFF	
	5E	Supervision alarm to Aux1 o/p	OFF	
	6E	Supervision alarm to Aux2 o/p	OFF	
	7E	Supervision Speedup x6	OFF	
	8E	Supervision Speedup x10	OFF	
<b>P67E</b>	Radio Supervision Time	24hrs	31	

OPTION	DESCRIPTION	DEFAULT	PAGE
<b>P68E</b>	1E [D16 option only]	OFF	34, 35
	2E 3K3 End Of Line Resistors	OFF	
	3E Radio Key Toggles Aux1	OFF	
	4E Radio Key Pulses Aux1	OFF	
	5E Radio Arming Unseal Warning	OFF	
	6E 24hr Zones Fire Siren Sound	OFF	
	7E RK4 Radio Key AUX button to Aux1	OFF	
	8E Quiet Chirps on Radio Arm/Disarm	OFF	
<b>P69E</b>	1E Arm1 Output Pulses	OFF	36, 37
	2E Arm2 Output Pulses	OFF	
	3E Quiet Monitor Siren	OFF	
	4E 6 Beeps On Arming	OFF	
	5E Radio Key Arming Monitor Mode	OFF	
	6E Disable Mains Fail Alarm	OFF	
	7E RK4 AUX button Toggles Aux2	OFF	
	8E RK4 AUX button Pulses Aux2	OFF	
<b>P70E</b>	<b>TELEPHONE NUMBER 1 (Primary)</b>	–	38
<b>P71E</b>	Telephone Number 2	–	
<b>P72E</b>	<b>ACCOUNT NUMBER 1</b>	0000	
<b>P73E</b>	Account Number 2	0000	
<b>P74E</b>	REPORT ZONE ALARMS 1–8	all zones	40
<b>P75E</b>	1E Report Duress alarms	OFF	41
	2E Report Medical alarms	OFF	
	3E Report Keypad & Keyswitch Panic	ON	
	4E Report Fire alarms	OFF	
	5E Report Panel Tamper alarms	ON	
	6E Report external Tamper alarms	ON	
	7E Report Keypad Tamper alarms	ON	
	8E Report Exit From Installer Mode	OFF	
<b>P76E</b>	Report Zone Restorals 1–8	all zones	40
<b>P77E</b>	Report Misc Restorals 1–8	all ON	41
<b>P78E</b>	Report Multiple Zone alarms	–	40
<b>P79E</b>	Account Number 2 zones	–	40
<b>P80E</b>	Telephone No. 3 for Test Calls	–	39
<b>P81E</b>	Telephone No. 4 for Callback	–	39
<b>P82E</b>	1E Send Restoral Immediately	OFF	41
	2E Send Restoral after Siren Time	OFF	
	3E Send Restoral on Disarm & seal	OFF	
	4E Send Restoral on Disarm always	ON	
<b>P83E</b>	Test Call Interval	84=168hrs	42
<b>P84E</b>	Time Before Next Test Call	6=12hrs	
<i>Also see P89E 1E, Enable Test Calls</i>			
<b>P85E</b>	1E Auto Dialling, Pulse or DTMF	ON	42
	2E Pulse Dialling always	OFF	
	3E DTMF Dialling always	OFF	

OPTION	DESCRIPTION	DEFAULT	PAGE
<b>P86E</b>	1E Disable Dialler	OFF	43, 44
	2E <b>CONTACT ID FORMAT</b>	ON	
	3E Audible DTMF format	OFF	
	4E AUDIBLE PULSE FORMAT	OFF	
	5E Contact ID & Audible DTMF	OFF	
	6E Contact ID & Audible Pulse	OFF	
<b>P87E</b>	1E Split Dial Primary/Sec. numbers	OFF	45
	2E Check For Dial Tone	ON	
	3E [not used]	OFF	
	4E Reduced Dialling Attempts	ON	
<b>P88E</b>	1E AREA 1 OPEN/CLOSE REPORTS	OFF	46, 47
	2E Area 2 Open/Close Reports	OFF	
	3E Siren Chirp on Kiss-Off	OFF	
	4E Flash Strobe on Kiss-Off	OFF	
	5E Forced Opening Report	ON	
	6E Delayed Closing Reports	OFF	
	7E Manual Exclude Reports	ON	
	8E Auto Exclude Reports	ON	
<b>P89E</b>	1E Enable Test Calls (Also see P83E, P84E)	ON	48, 49
	2E Mains Report Delay	ON	
	3E Listen-in to Dialler	OFF	
	4E Swinger Shutdown	ON	
	5E Telephone Line Fault Monitor	OFF	
	6E Line Fault Alarms to Aux2	OFF	
	7E Internal Timing	OFF	
	8E [not used]	OFF	
<b>P90E</b>	1E Enable Remote Access	OFF	50, 51
	2E Enable Direct Connect	OFF	
	3E Enable Remote Arming	OFF	
	4E Enable Remote Disarming	OFF	
	5E Enable Remote AUX Control	OFF	
	6E Enable Remote Status Report	OFF	
	7E Enable Remote Event Report	OFF	
	8E Enable Callback Mode	OFF	
<b>P91E</b>	Required Rings To Answer	1	52
<b>P92E</b>	1E Report Radio Tamper	ON	41
	2E Report radio Panic by User ID	ON	
	3E Report Radio Battery by Device	OFF	
	4E Report Radio Supervision Fail	OFF	
	5E Report Panel Low Battery	ON	
	6E Report Mains Fail	ON	
	7E [not used]	OFF	
	8E [not used]	OFF	
<b>P93E</b>	Report Misc. Restorals 9–14	all ON	
<b>P94E</b>	No Memory Warning zones	–	52
<b>P95E</b>	Clear Radio Devices		53
<b>P96E</b>	Clear Memory		
<b>P97E</b>	<b>CLEAR PANEL OPTIONS</b> (Except Radio Devices, User Codes or Radio Keys)		
<b>P98E</b>	Clear User Codes & Radio Keys		
<b>P99E</b>	Set Installer Code	000000	53



# INSTALLATION RECORD



## NESS D8 ALARM CONTROL PANEL

Date purchased:	Date installed:
-----------------	-----------------

Installation Company: _____
Telephone: _____

Monitoring Company: _____
Telephone: _____

- P26E ENTRY DELAY TIME 1
- P27E ENTRY DELAY TIME 2
- P28E EXIT DELAY TIME
- P29E SIREN RESET TIME

	Seconds
	Seconds
	Seconds
	Minutes

- ZONE ASSIGNMENT**
- P41E ENTRY DELAY 1
  - P43E ENTRY DELAY 2
  - P42E HANDOVER
  - P40E INSTANT
  - P45E AREA 1
  - P46E AREA 2
  - P51E MONITOR
  - P52E 24 HOUR
  - P54E RESET OUTPUT
  - P55E STROBE OUTPUT
  - P56E SONALERT OUTPUT
  - P57E SIREN OUTPUT
  - P74E Report (dialler)

ZONES	DEVICE TYPE	PIR, Reed switch, etc	DESCRIPTION																	
1			Entrance, bedroom1, etc																	
2																				
3																				
4																				
5																				
6																				
7																				
8																				

CODE	OPTION No	CODE HOLDER	AREA 1	AREA 2	RADIO KEY CODE (Y/N)
User Code 1 <small>Master Code</small>	P11E				(Keypad Code only)
User Code 2	P12E				
User Code 3	P13E				
User Code 4	P14E				
User Code 5	P15E				
User Code 6	P16E				
User Code 7	P17E				
User Code 8	P18E				
User Code 9	P19E				
User Code 10	P20E				
User Code 11	P21E				
User Code 12	P22E				
User Code 13	P23E				
User Code 14	P24E				
User Code 15	P25E				